

2x3/2 Solenoid Valve

3GA/3GB series



3GA/3GB series

2X3/2 Solenoid valve

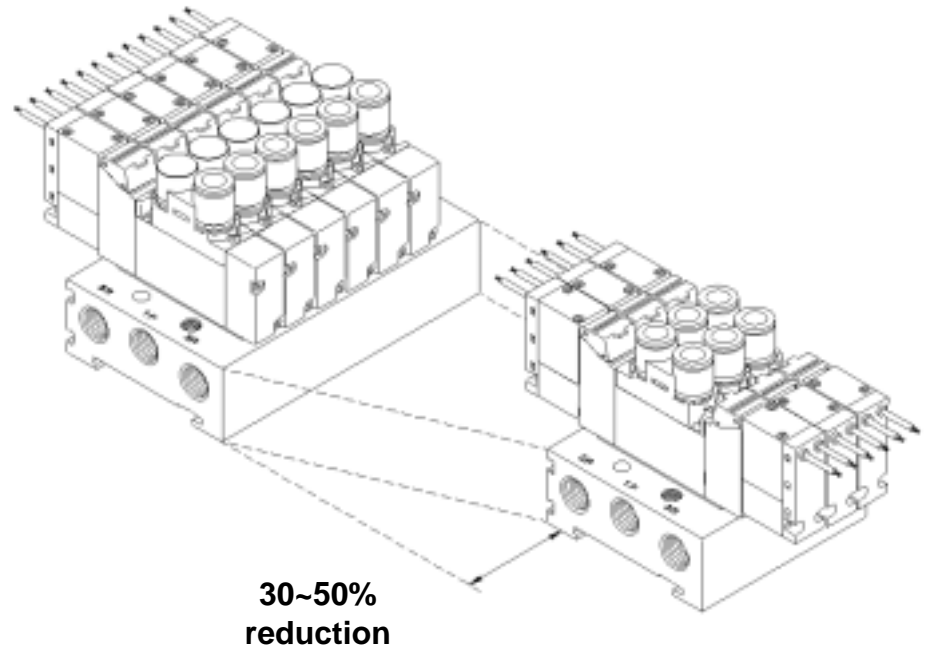
Outline

2pcs of 3/2 NC valves are installed in one valve space.
High integrated, space-saving solenoid valve which can control 2pcs in 1 position, 16pcs in 8 positions.

Features

*A dramatic reduction of installing space
The space required for 16pcs of 3/2 valves can be reduced to that for 8pcs – 30~50% space reduction has been achieved compared with our former manifold.

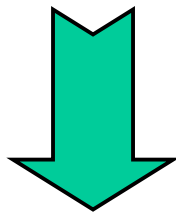
*Best suitable for actuating air-operated valves.



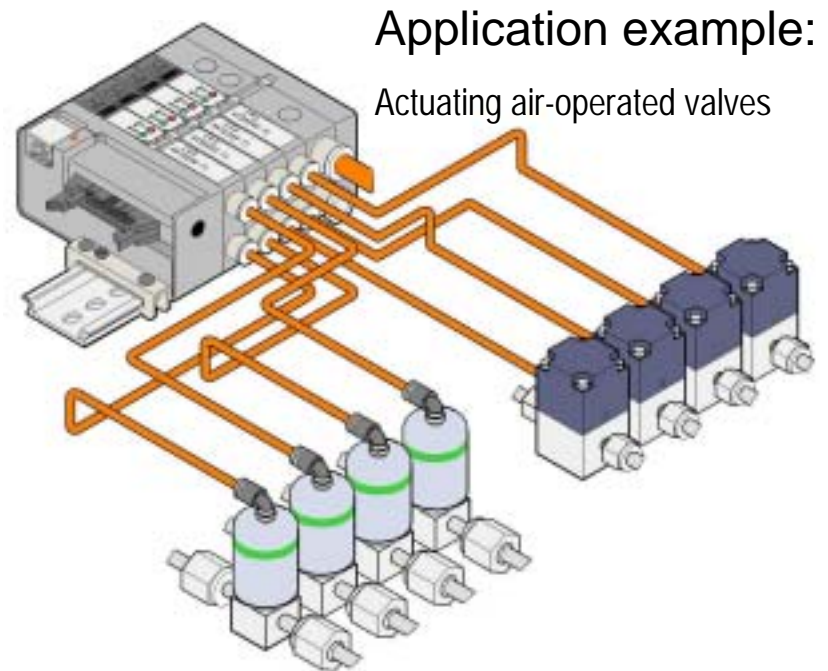
The features of 2X3/2 solenoid valve

Double function has been integrated into simple design

- 2pcs of 3/2 valves are installed in 1 position.
- Adopted common dimensions as well accepted 5/2 type, and can be integrated into the same manifold.



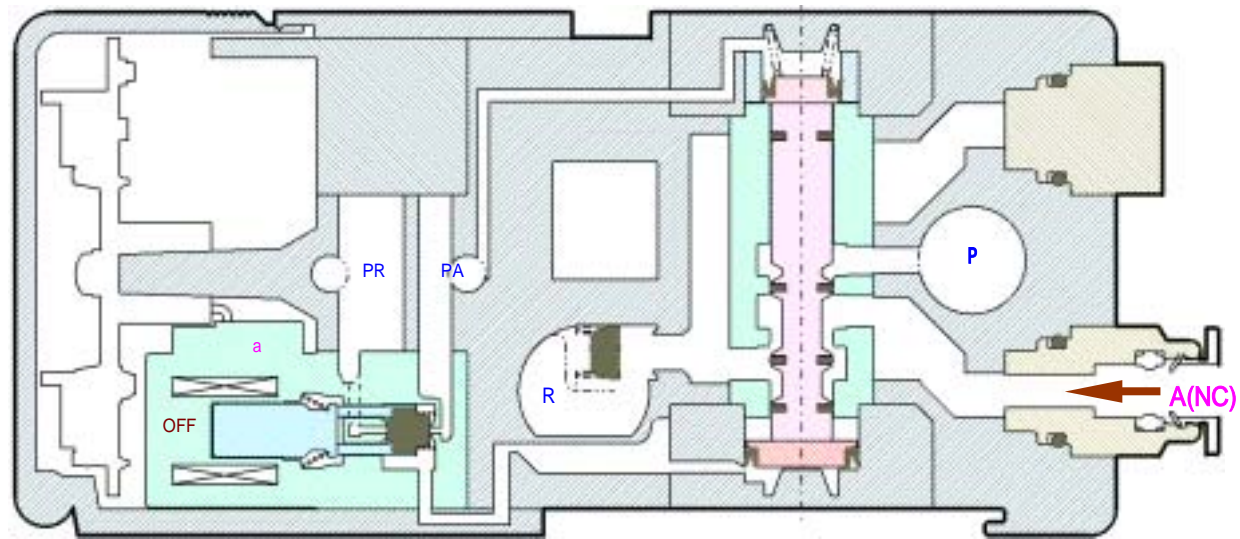
Realized space-saving



The features of 2X3/2 solenoid valve

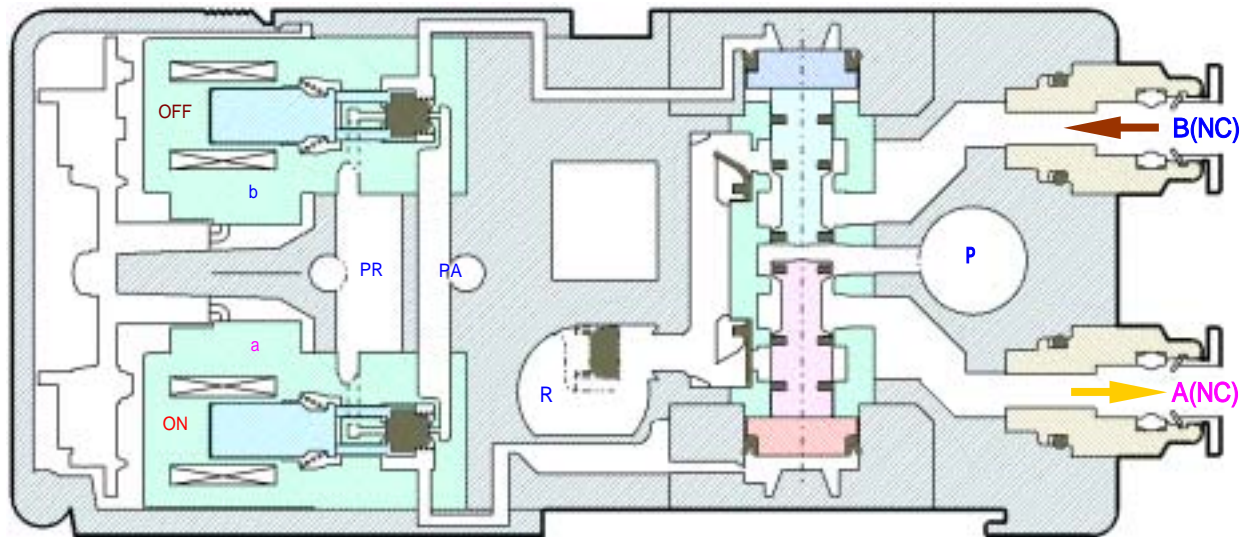
Usual 3/2 solenoid valve (NC type)

Ex. MN4S0 series



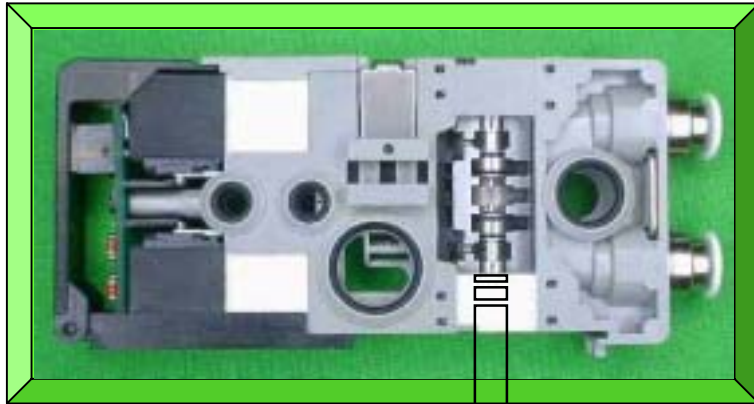
The features of 2X3/2 solenoid valve

2X3/2 solenoid valve (2pcs of 3/2 solenoid valve)

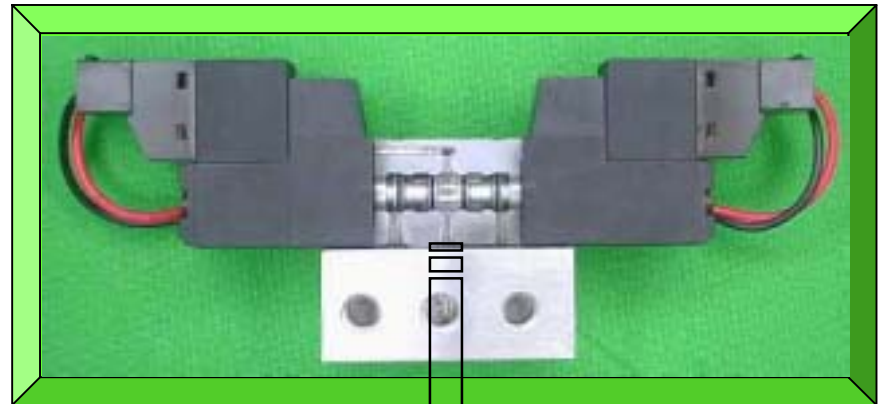


The features of 2X3/2 solenoid valve

Ex. N3S0770



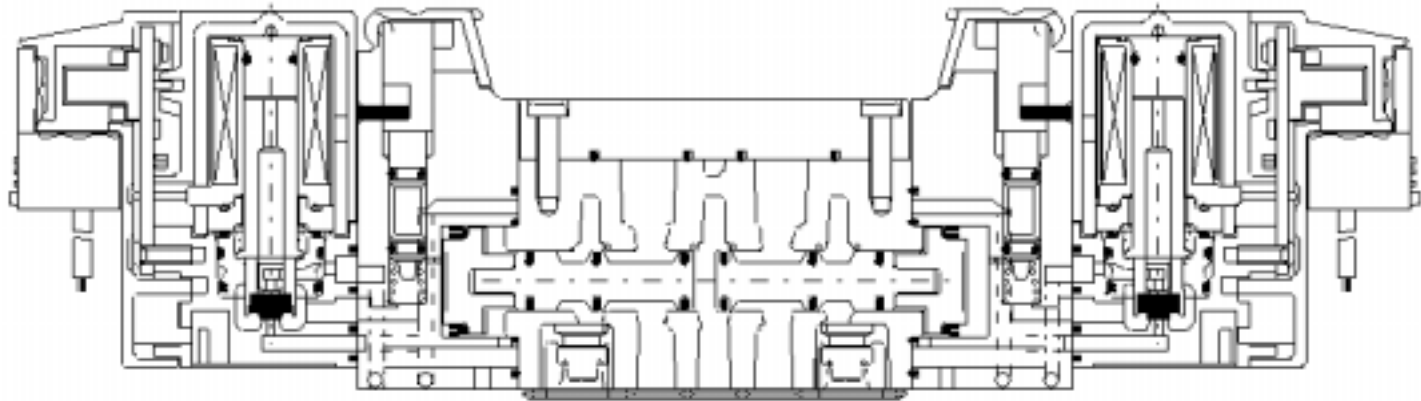
Ex. 3SB0660



Valve part
zoom up

The features of 2X3/2 solenoid valve

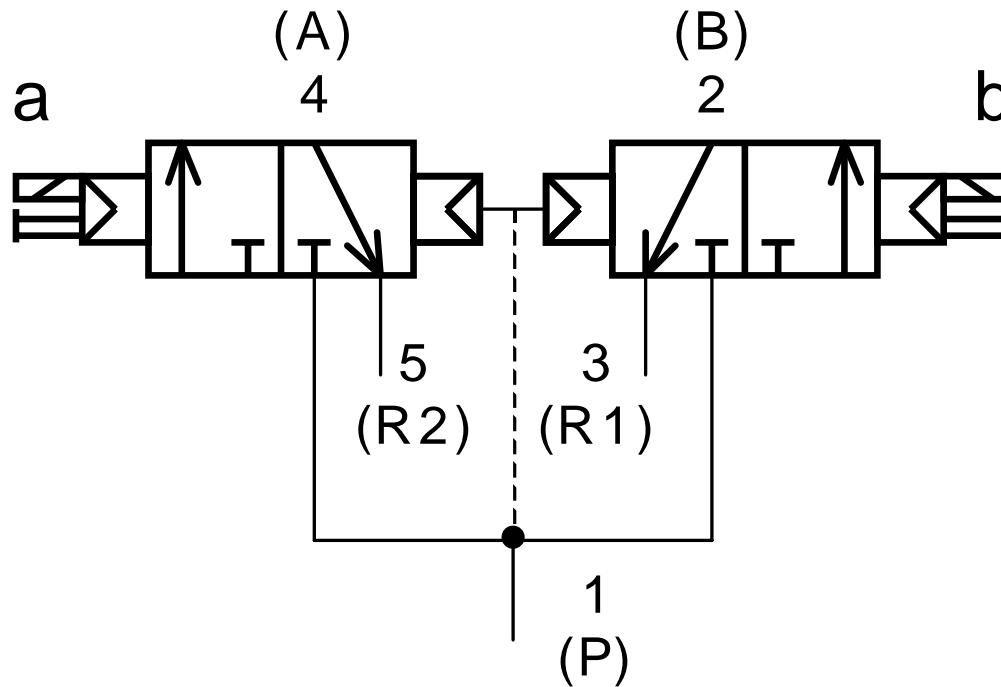
4GB1 type



The features of 2X3/2 solenoid valve

Symbol

(2X3/2NC solenoid valve)



電磁弁 おもな仕様

項目		3G ^A _B 1	3G ^A _B 2
最低使用圧力	MPa	0.2	
最高使用圧力	MPa	0.7	
保証耐圧力	MPa	1.05	
有効断面積	mm ²	3.2	7.0
応答時間	1 ms	20以下	30以下

1 応答時間は供給圧力0.5MPa、無給油における値です。

2 公称寿命は500万回となります。(クリーンエアで圧力0.5MPa時)

電気 おもな仕様

項目		内容
定格電圧	DC V	12、24
	AC V	100
消費電力	DC 24V W	0.55(0.6)
	DC 12V W	0.55(0.6)
皮相電力	AC 100V VA	1.0(1.2)
サージキラー	オプション	
インジケータ	ランプ付き(オプション)	

()内はランプ付きの値です。

2X3/2 solenoid valve
3GA/3GB series