



PGP-ALP2 Gear Pumps

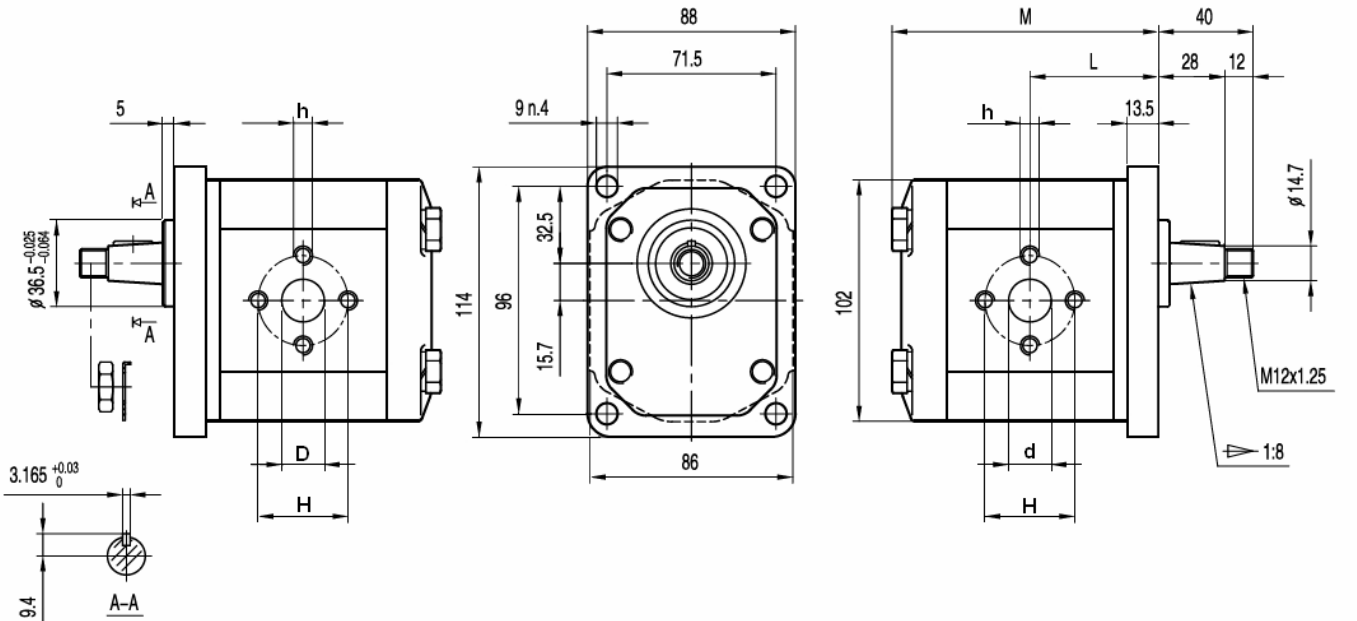
Benefits

- Available in cast iron ends which allow higher pressure ratings.
- Flexible construction giving range of options in single and multiple sections.
- Standard European mounting and shafts available.
- Port adaptors to fit most applications.

Features

- Displacement range 4.5cc to 25.5cc/rev
- Pressure up to 250 bar
- Speeds up to 4000rpm
- 4 Bolt Mount
- 1:8 Taper Shaft
- Clockwise Rotation

OUTLET



Primary Item No	Disp cc/rev	Flow LPM @ 1500rpm	Part No	L mm	M mm	d mm	D mm	h	H mm	Max Speed RPM	Max WP Bar
5063486	4,5	6,4	PGP-ALP2D6	45,5	93,5	13	13	M6	30	4000	250
5063487	6,4	9,1	PGP-ALP2D9	47	96,5	13	13	M6	30	4000	250
5063488	8,3	11,8	PGP-ALP2D12	48,5	99,5	13	13	M8	40	3500	250
5063489	9,6	13,7	PGP-ALP2D13	49,5	101,5	13	13	M8	40	3000	250
5063490	11,5	16,4	PGP-ALP2D16	51	104,5	19	13	M8	40	4000	230
5063491	14,1	20,1	PGP-ALP2D20	53	108,5	19	13	M8	40	4000	230
5063492	16,0	22,8	PGP-ALP2D22	54,5	111,5	19	13	M8	40	4000	210
5063493	17,9	25,5	PGP-ALP2D25	56	114,5	19	13	M8	40	3600	210

Supplied By
Primary Fluid Power Limited
Caddick Road
Knowsley Business Park
L34 9HP
Tel No. +44(0)151 632 9500
Fax No. +44(0)151 548 9896
www.PrimaryFP.co.uk