



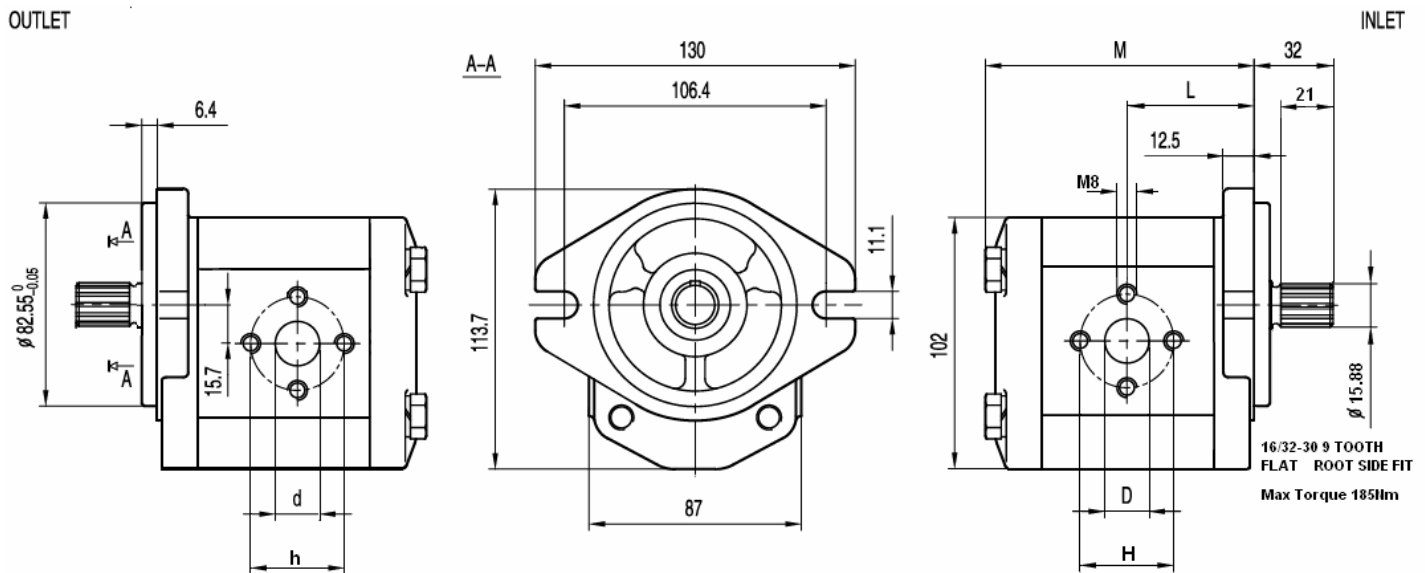
## PGP-ALP2ADS1E Gear Pumps

### Benefits

- Available in cast iron ends which allow higher pressure ratings.
- Flexible construction giving range of options in single and multiple sections.
- Standard European mounting and shafts available.
- Port adaptors to fit most applications.

### Features

- Displacement range 8.3cc to 16.0cc/rev
- Pressure up to 250 bar
- Speeds up to 4000rpm
- 2 Bolt SAE A Mount
- 9 Tooth Shaft
- Clockwise Rotation



Primary Item No	Disp cc/rev	Flow LPM @ 1500rpm	Part No	L mm	M mm	D mm	d mm	h mm	H mm	Max Speed RPM	Max WP Bar
5063498	8,3	11,8	PGP-ALP2AD12S1E	48,5	99,5	13	13	40	40	4000	250
5063499	11,5	16,4	PGP-ALP2AD16S1E	51	104,5	19	13	40	40	4000	230
5063500	16,0	22,8	PGP-ALP2AD22S1E	54,5	111,5	19	13	40	40	2800	210

**Supplied By**  
Primary Fluid Power Limited  
Caddick Road  
Knowsley Business Park  
L34 9HP  
Tel No. +44(0)151 632 9500  
Fax No. +44(0)151 548 9896  
[www.PrimaryFP.co.uk](http://www.PrimaryFP.co.uk)