



## PGP-ALPI2 Gear Pumps (Middle)

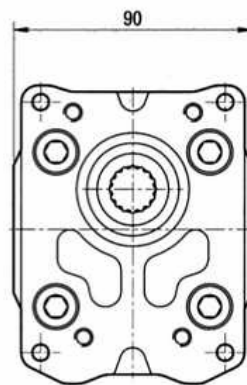
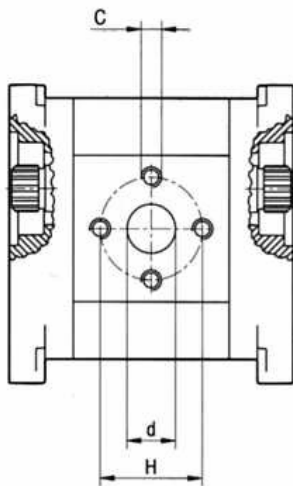
### Benefits

- Available in cast iron ends which allow higher pressure ratings.
- Flexible construction giving range of options in single and multiple sections.
- Standard European mounting and shafts available.
- Port adaptors to fit most applications.

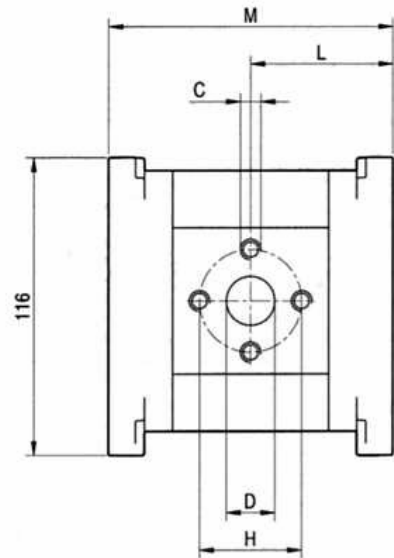
### Features

- Displacement range 4.5cc to 16cc/rev
- Pressure up to 250 bar
- Speeds up to 4000rpm

OUTLET



INLET



Primary Item No	Disp cc/rev	Flow LPM @ 1500rpm	Part No	L mm	M mm	d mm	D mm	C mm	H mm	Max Speed RPM	Max WP Bar
5063562	4,5	6,4	PGP-ALPI2-6	51,5	103	13	13	M6	30	4000	250
5063563	6,4	9,1	PGP-ALPI2-9	53	106	13	13	M6	30	4000	250
5063564	8,3	11,8	PGP-ALPI2-12	54,5	109	13	13	M8	40	3500	250
5063565	9,6	13,7	PGP-ALPI2-13	55,5	111	13	13	M8	40	3000	250
5063566	11,5	16,4	PGP-ALPI2-16	57	114	13	19	M8	40	4000	230
5063567	14,1	20,1	PGP-ALPI2-20	59	118	13	19	M8	40	4000	230
5063568	16,0	22,8	PGP-ALPI2-22	60,5	121	13	19	M8	40	4000	210

### Supplied By

Primary Fluid Power Limited  
Caddick Road  
Knowsley Business Park  
L34 9HP  
Tel No. +44(0)151 632 9500  
Fax No. +44(0)151 548 9896  
[www.PrimaryFP.co.uk](http://www.PrimaryFP.co.uk)