



PGP-ALPP2 Gear Pumps (Rear)

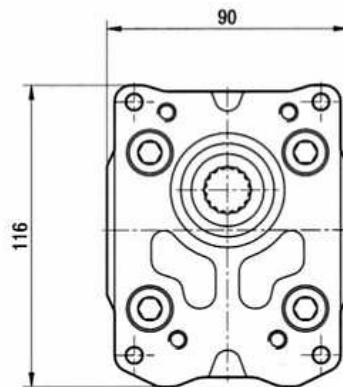
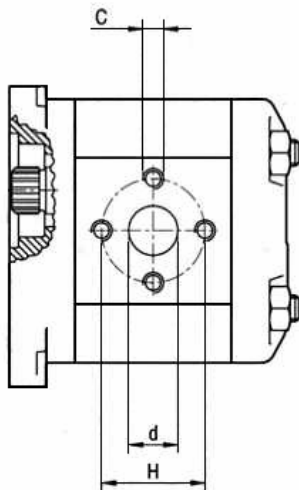
Benefits

- Available in cast iron ends which allow higher pressure ratings.
- Flexible construction giving range of options in single and multiple sections.
- Standard European mounting and shafts available.
- Port adaptors to fit most applications.

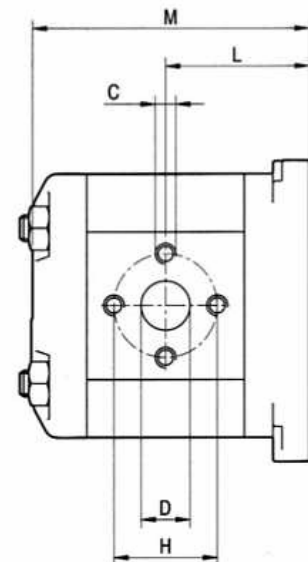
Features

- Displacement range 4.5cc to 16cc/rev
- Pressure up to 250 bar
- Speeds up to 4000rpm
- Clockwise rotation

OUTLET



INLET



Primary Item No	Disp cc/rev	Flow LPM @ 1500rpm	Part No	L mm	M mm	d mm	D mm	C	H mm	Max Speed RPM	Max WP Bar
5063574	4,5	6,4	PGP-ALPP2D6	51,5	99,5	13	13	M6	30	4000	250
5063575	6,4	9,1	PGP-ALPP2D9	53	102,5	13	13	M6	30	4000	250
5063576	8,3	11,8	PGP-ALPP2D12	54,5	105,5	13	13	M8	40	3500	250
5063577	9,6	13,7	PGP-ALPP2D13	55,5	107,5	13	13	M8	40	3000	250
5063578	11,5	16,4	PGP-ALPP2D16	57	110,5	13	19	M8	40	4000	230
5063579	14,1	20,1	PGP-ALPP2D20	59	114,5	13	19	M8	40	4000	230
5063580	16,0	22,8	PGP-ALPP2D22	60,5	117,5	13	19	M8	40	4000	210

Supplied By

Primary Fluid Power Limited
Caddick Road
Knowsley Business Park
L34 9HP
Tel No. +44(0)151 632 9500
Fax No. +44(0)151 548 9896
www.PrimaryFP.co.uk