



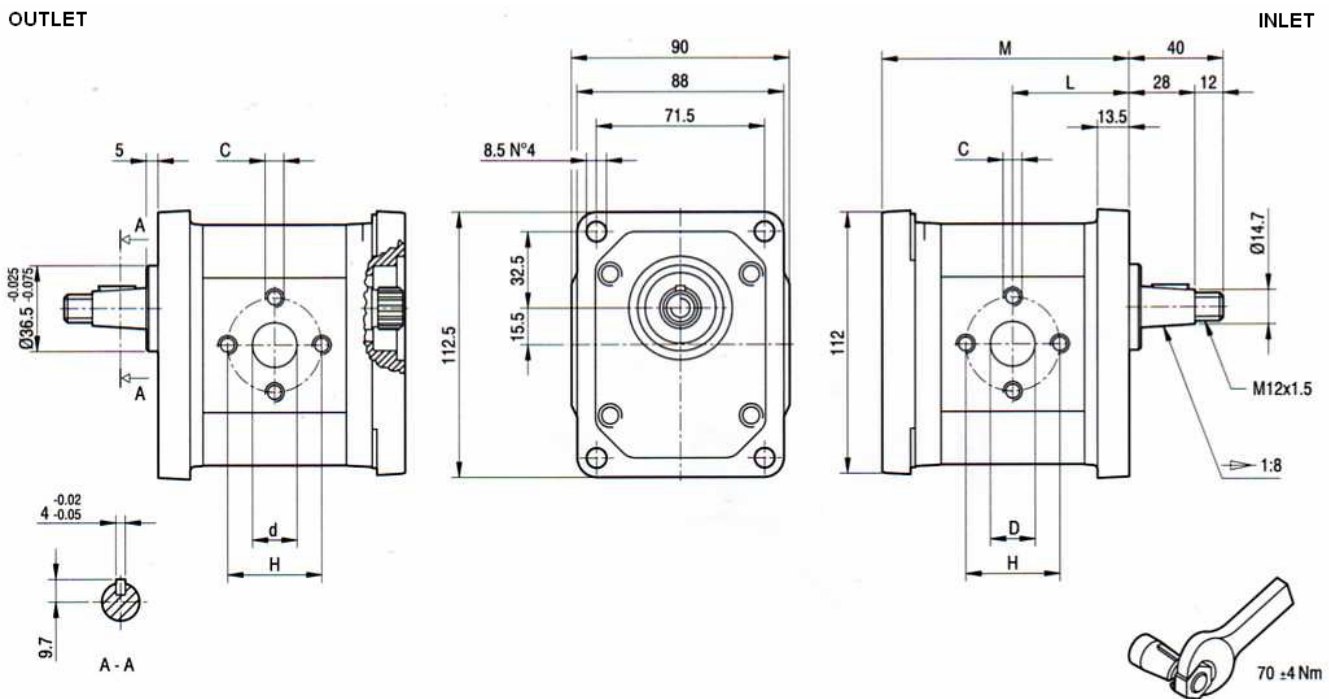
## PGP-GHPA2 Gear Pumps (Front)

### Benefits

- Available in cast iron ends which allow higher pressure ratings.
- Flexible construction giving range of options in single and multiple sections.
- Standard European mounting and shafts available.
- Port adaptors to fit most applications.

### Features

- Displacement range 21.1cc to 28.2cc/rev
- Pressure up to 230 bar
- Speeds up to 3200rpm
- 4 Bolt Mount
- 1:8 Taper Shaft
- Clockwise Rotation



| Primary Item No | Disp cc/rev | Flow LPM @ 1500rpm | Part No      | L mm | M mm | d mm | D mm | C  | H mm | Max Speed RPM | Max WP Bar |
|-----------------|-------------|--------------------|--------------|------|------|------|------|----|------|---------------|------------|
| 5064576         | 21,1        | 30,1               | PGP-GHPA2D30 | 58,5 | 123  | 19   | 19   | M8 | 40   | 3200          | 230        |
| 5064577         | 23,7        | 33,7               | PGP-GHPA2D34 | 60,5 | 127  | 19   | 19   | M8 | 40   | 3000          | 230        |
| 5064578         | 28,2        | 40,1               | PGP-GHPA2D40 | 64   | 134  | 19   | 19   | M8 | 40   | 2500          | 200        |

**Supplied By**  
Primary Fluid Power Limited  
Caddick Road  
Knowsley Business Park  
L34 9HP  
Tel No. +44(0)151 632 9500  
Fax No. +44(0)151 548 9896  
[www.PrimaryFP.co.uk](http://www.PrimaryFP.co.uk)