



PGP-GHPI2 Gear Pumps (Middle)

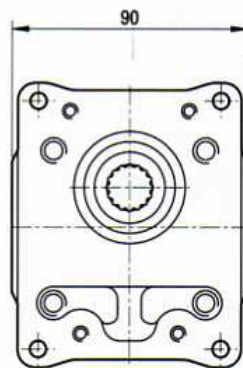
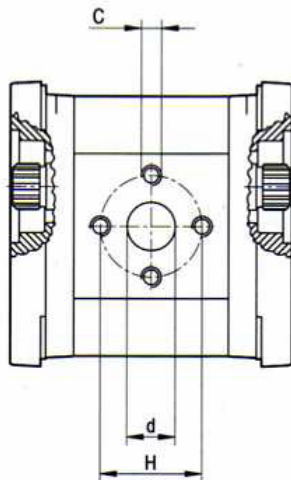
Benefits

- Available in cast iron ends which allow higher pressure ratings.
- Flexible construction giving range of options in single and multiple sections.
- Standard European mounting and shafts available.
- Port adaptors to fit most applications.

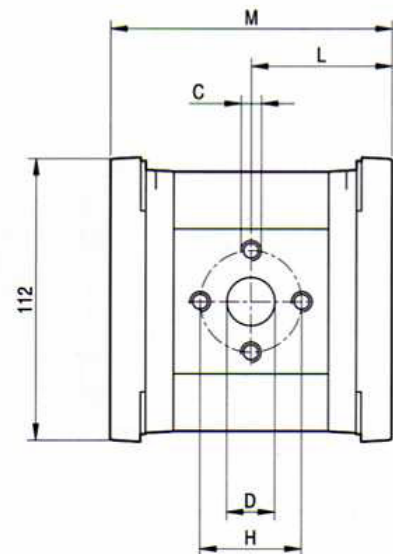
Features

- Displacement range 21.1cc to 28.2cc/rev
- Pressure up to 230 bar
- Speeds up to 3200rpm

OUTLET



INLET



Primary Item No	Disp cc/rev	Flow LPM @ 1500rpm	Part No	L mm	M mm	d mm	D mm	h mm	H mm	Max Speed RPM	Max WP Bar
5063570	21,1	30,1	PGP-GHPI2D30	64,5	129	19	19	M8	40	3200	230
5063571	23,7	33,7	PGP-GHPI2D34	66,5	133	19	19	M8	40	3000	230
5063573	28,2	40,1	PGP-GHPI2D40	70	140	19	19	M8	40	2500	200

Supplied By
Primary Fluid Power Limited
Caddick Road
Knowsley Business Park
L34 9HP
Tel No. +44(0)151 632 9500
Fax No. +44(0)151 548 9896
www.PrimaryFP.co.uk