



PGP-GHPP2 Gear Pumps (Rear)

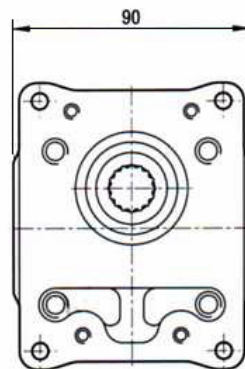
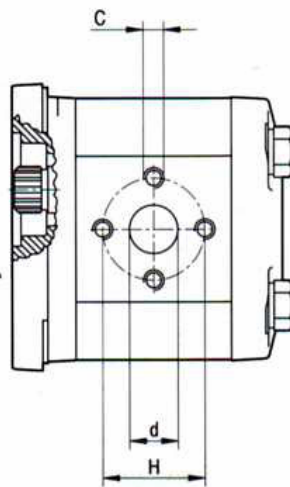
Benefits

- Available in cast iron ends which allow higher pressure ratings.
- Flexible construction giving range of options in single and multiple sections.
- Standard European mounting and shafts available.
- Port adaptors to fit most applications.

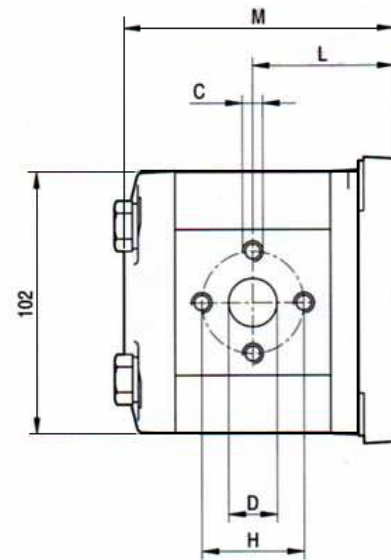
Features

- Displacement range 21.1cc to 28.2cc/rev
- Pressure up to 230 bar
- Speeds up to 3200rpm
- Clockwise rotation

OUTLET



INLET



Primary Item No	Disp cc/rev	Flow LPM @ 1500rpm	Part No	L mm	M mm	d mm	D mm	h mm	H mm	Max Speed RPM	Max WP Bar
5063582	21,1	30,1	PGP-GHPP2D30	64,5	124	19	19	M8	40	3200	230
5063583	23,7	33,7	PGP-GHPP2D34	66,5	128	19	19	M8	40	3000	230
5063585	28,2	40,1	PGP-GHPP2D40	70	135	19	19	M8	40	2500	200

Supplied By

Primary Fluid Power Limited
Caddick Road
Knowsley Business Park
L34 9HP
Tel No. +44(0)151 632 9500
Fax No. +44(0)151 548 9896
www.PrimaryFP.co.uk