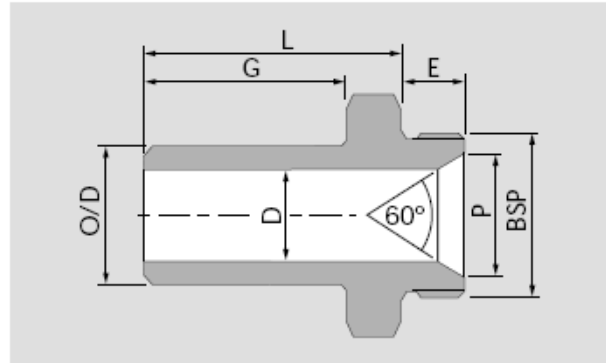


Stud Standpipe (Metric)



Primary Item No	O/D mm	Stud BSP	Part No	E mm	G mm	L mm	D mm	P mm	Body A/F mm	Max WP Bar
5012977	6	1/8	KRM6-2SSAR	10	29	35	4	8	14	680
5012986	6	1/4	KRM6-4SSAR	11	29	35	4	11	19	680
5013001	8	1/8	KRM8-2SSAR	10	29	35	6	8	14	680
5013016	8	1/4	KRM8-4SSAR	11	29	35	6	11	19	680
5013021	8	3/8	KRM8-6SSAR	13	29	35	6	14	22	680
5012726	10	1/4	KRM10-4SSAR	11	37	43	6	11	19	680
5012731	10	3/8	KRM10-6SSAR	13	37	43	6	14	22	680
5012760	12	1/4	KRM12-4SSAR	11	37	43	6	11	19	680
5012766	12	3/8	KRM12-6SSAR	13	37	43	8	14	22	680
5012772	12	1/2	KRM12-8SSAR	16	37	45	8	18	29	680
5012807	16	3/8	KRM16-6SSAR	13	37	44	10	14	22	680
5012811	16	1/2	KRM16-8SSAR	16	37	45	10	18	29	680
5012803	16	3/4	KRM16-12SSAR	19	37	48	10	23	33	680
5012846	20	1/2	KRM20-8SSAR	16	48	56	11	18	29	680
5012837	20	3/4	KRM20-12SSAR	19	48	60	14	23	33	680
5012865	22	1/2	KRM22-8SSAR	16	48	56	11	18	29	680
5012863	22	3/4	KRM22-12SSAR	19	48	60	16	23	33	680
5012864	22	1	KRM22-16SSAR	21	48	60	16	29	41	680
5012882	25	3/4	KRM25-12SSAR	19	48	60	18	23	33	500
5012886	25	1	KRM25-16SSAR	21	48	60	18	29	41	500
5012914	30	3/4	KRM30-12SSAR	19	55	67	18	23	33	500
5012917	30	1	KRM30-16SSAR	21	55	67	22	29	41	500
5012920	30	1-1/4	KRM30-20SSAR	21	55	69	22	37	50	500
5012949	38	1	KRM38-16SSAR	21	64	76	26	29	41	500
5012950	38	1-1/4	KRM38-20SSAR	21	64	79	26	37	50	500
5012951	38	1-1/2	KRM38-24SSAR	25	64	79	26	43	55	500
5012966	50	1-1/2	KRM50-24SSAR	25	83	98	35	43	55	500
5012968	50	2	KRM50-32SSAR	30	83	106	35	55	70	500

Supplied By

Primary Fluid Power Limited
Caddick Road
Knowsley Business Park
L34 9HP
Tel No. +44(0)151 632 9500
Fax No. +44(0)151 548 9896
www.PrimaryFP.co.uk