

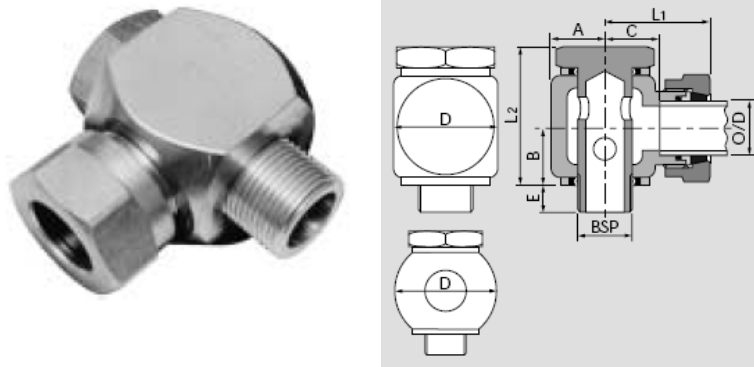
Benefits

Banjo Coupling (Imperial)

- Leak free “O” ring seal.
- Safe joint every time – low tightening torque and clamping forces rise with the internal pressure.
- Low installed cost – no welding (so inert gas purging, NDT and excessive flushing are not required), minimal tube preparation and no special assembly equipment are required.
- Demountable and reusable. Can be used with most tube materials.

Features

1. Body – mild steel, compatible with most fluids and environments. Locates O-ring and tube.
2. O-ring – nitrile, compatible with most fluids, highly resistant to leakage even under severe vibration, pressure pulsation and temperature cycling. Provides diametric seal between the O/D and body cavity.
3. Nut - mild steel, compatible with environments. Closes split collet and retains sealing mechanism.
4. Back-up washer – mild steel. Provides additional support for the tube and locates the O-ring.
5. Split collet – mild steel. Clamping force rises with pressure. Large clamping area ensures minimal deformation of the tube. Retains tube in position.



Primary Item No	O/D	Thread	Part No	L1 mm	L2 mm	C mm	A mm	B mm	E mm	D mm	Nut A/F mm	Body A/F mm	Max WP Bar
5012280	1/4"	1/8"	KRA4-2BJR	30	30	15	11	12	8	Ø25	16	14	680
5012290	1/4"	1/4"	KRA4-4BJR	32	30	17	13	12	10	Ø29	16	19	680
5011936	5/16"	1/4"	KRA5-4BJR	32	30	17	13	12	10	Ø29	17	19	680
5012376	3/8"	1/4"	KRA6-4BJR	33	34	18	14	14	10	Ø31	19	19	680
5012402	3/8"	3/8"	KRA6-6BJR	35	38	20	16	15	10	Ø35	19	22	680
5012460	1/2"	3/8"	KRA8-6BJR	40	42	18	18	17	11	Ø38	27	22	680
5012481	1/2"	1/2"	KRA8-8BJR	42	43	20	19	18	13	Ø41	27	27	680
5011588	5/8"	1/2"	KRA10-8BJR	45	47	21	21	20	13	Ø45	32	27	680
5012051	3/4"	1/2"	KRA12-8BJR	50	51	24	21	22	13	Ø48	33	27	680
5012021	3/4"	3/4"	KRA12-12BJR	51	53	25	22	21	17	Ø51	33	33	680
5012081	7/8"	3/4"	KRA14-12BJR	56	63	26	25	26	16	Ø59	41	33	680
5012103	1"	3/4"	KRA16-12BJR	59	72	28	25	30	16	51	46	33	500
5012125	1"	1"	KRA16-16BJR	62	75	31	29	31	17	57	46	41	500
5012176	1-1/4"	1"	KRA20-16BJR	69	81	36	32	34	17	64	50	41	500
5012186	1-1/4"	1-1/4"	KRA20-20BJR	75	89	42	38	38	17	76	50	50	500
5011810	1-1/2"	1-1/4"	KRA24-20BJR	82	96	44	38	41	17	76	60	50	500
5011817	1-1/2"	1-1/2"	KRA24-24BJR	86	107	48	43	46	22	86	60	60	500

Supplied By
Primary Fluid Power Limited
Caddick Road
Knowsley Business Park
L34 9HP
Tel No. +44(0)151 632 9500
Fax No. +44(0)151 548 9896
www.PrimaryFP.co.uk