

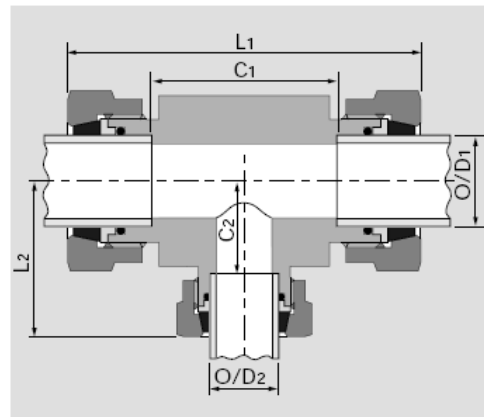
## Reducing Outlet Tee (Metric)

### Benefits

- Leak free “O” ring seal.
- Safe joint every time – low tightening torque and clamping forces rise with the internal pressure.
- Low installed cost – no welding (so inert gas purging, NDT and excessive flushing are not required), minimal tube preparation and no special assembly equipment are required.
- Demountable and reusable. Can be used with most tube materials.

### Features

1. Body – mild steel, compatible with most fluids and environments. Locates O-ring and tube.
2. O-ring – nitrile, compatible with most fluids, highly resistant to leakage even under severe vibration, pressure pulsation and temperature cycling. Provides diametric seal between the O/D and body cavity.
3. Nut - mild steel, compatible with environments. Closes split collet and retains sealing mechanism.
4. Back-up washer – mild steel. Provides additional support for the tube and locates the O-ring.
5. Split collet – mild steel. Clamping force rises with pressure. Large clamping area ensures minimal deformation of the tube. Retains tube in position.



Primary Item No	O/D1 mm	O/D2 mm	Part No	L1 mm	L2 mm	C1 mm	C2 mm	Nut 1 A/F mm	Nut 2 A/F mm	Body A/F mm	Max WP Bar
5057721	8	6	KRAM8-M6ROTR	57	29	27	14	17	16	19	680
5011419	10	6	KRAM10-M6ROTR	71	32	27	17	27	16	27	680
5011494	12	8	KRAM12-M8ROTR	71	32	27	17	27	17	27	680
5011569	16	8	KRAM16-M8ROTR	79	39	33	17	32	17	30	680
5011643	20	8	KRAM20-M8ROTR	103	37	43	22	41	17	38	680
5011637	20	12	KRAM20-M12ROTR	103	44	43	22	41	27	38	680
5011701	25	12	KRAM25-M12ROTR	105	44	45	22	46	27	41	500
5011703	25	16	KRAM25-M16ROTR	105	44	45	22	46	32	41	500
5011754	38	16	KRAM38-M16ROTR	125	50	57	27	50	32	48	500
5011806	38	8	KRAM38-M8ROTR	147	48	32	33	60	17	54	500
5011801	38	12	KRAM38-M12ROTR	147	53	71	31	60	27	54	500
5011804	38	25	KRAM38-M25ROTR	147	63	71	33	60	46	54	500

### Supplied By

Primary Fluid Power Limited  
Caddick Road  
Knowsley Business Park  
L34 9HP

Tel No. +44(0)151 632 9500

Fax No. +44(0)151 548 9896

[www.PrimaryFP.co.uk](http://www.PrimaryFP.co.uk)