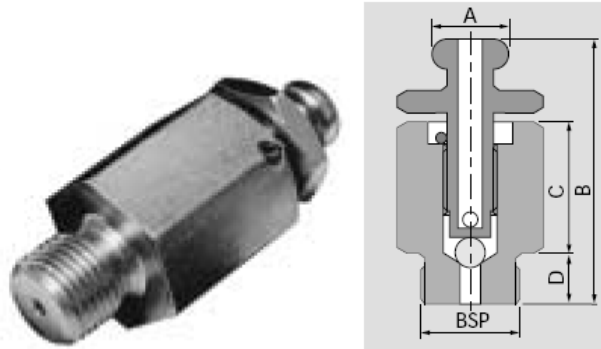
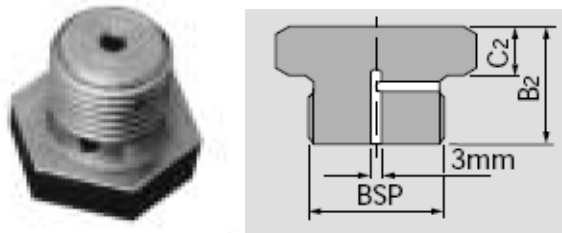


Bleed Valve



Primary Item No	BSP	Part No	A mm	B mm	C mm	D mm	Nut A/F mm	Body A/F mm	Max WP Bar
5012505	1/8	KRBV2	8	40	18	10	14	16	680

Air Bleed Plug



Primary Item No	BSP	Part No	B2 mm	C2 mm	Body A/F mm	Max WP Bar
5013171	1/8	KRP2AB	17	7	14	680

Supplied By
Primary Fluid Power Limited
Caddick Road
Knowsley Business Park
L34 9HP
Tel No. +44(0)151 632 9500
Fax No. +44(0)151 548 9896
www.PrimaryFP.co.uk