



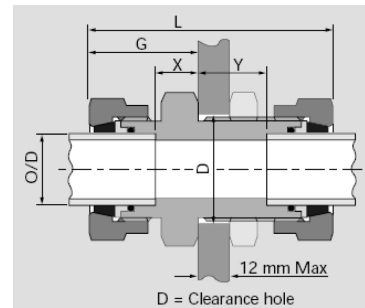
Straight Bulkhead (Imperial)

Features:

1. Body – mild steel, compatible with most fluids and environments. Locates O-ring and tube.
2. O-ring – nitrile, compatible with most fluids, highly resistant to leakage even under severe vibration, pressure pulsation and temperature cycling. Provides diametric seal between the O/D and body cavity.
3. Nut - mild steel, compatible with environments. Closes split collet and retains sealing mechanism.
4. Back-up washer – mild steel. Provides additional support for the tube and locates the O-ring.
5. Split collet – mild steel. Clamping force rises with pressure. Large clamping area ensures minimal deformation of the tube. Retains tube in position.

Benefits:

- Leak free “O” ring seal.
- Safe joint every time – low tightening torque and clamping forces rise with the internal pressure.
- Low installed cost – no welding (so inert gas purging, NDT and excessive flushing are not required), minimal tube preparation and no special assembly equipment are required.
- Demountable and reusable. Can be used with most tube materials.



Primary Item No	O/D	Part No	D mm	G mm	L mm	X mm	Y mm	Nut A/F mm	Body A/F mm	Max WP Bar
5012318	1/4"	KRA4BPR	14	25	67	10	27	16	17	680
5011956	5/16"	KRA5BPR	16	25	67	10	27	17	17	680
5012427	3/8"	KRA6BPR	17	27	72	11	27	19	19	680
5012495	1/2"	KRA8BPR	24	30	76	8	24	27	27	680
5011602	5/8"	KRA10BPR	27	33	82	10	25	32	32	680
5012068	3/4"	KRA12BPR	30	39	91	13	26	33	33	680
5011695	7/8"	KRA14BPR	37	43	99	13	25	41	41	680
5012159	1"	KRA16BPR	40	46	105	15	28	46	41	500
5012200	1-1/4"	KRA20BPR	46	51	115	18	32	50	50	500
5011826	1-1/2"	KRA24BPR	52	62	134	23	34	60	60	500
5012270	2"	KRA32BPR	71	79	171	29	42	80	80	500