



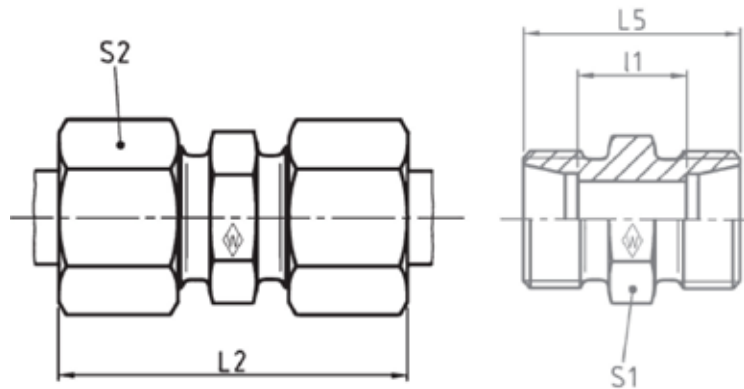
GV-S Straight Coupling

Features:

- Two edge cutting ring.
- Cone stop limit to prevent over tightening.
- 6mm to 42mm OD tube sizes in (L) light and (S) heavy series.
- Best cutting ring pressure performance.

Benefits:

- Reliable first time assembly.
- High sealing efficiency for cutting ring technology.
- High nominal pressure L Series - up to 600 bar S Series - up to 800 bar.
- Available in stainless steel body & nut on request * WalproX stainless ring now available.



Primary Item No	Tube O/D	Part No	L2 mm	L5 mm	l mm	S1 A/F mm	S2 A/F mm	Max WP Bar
5070348	6	P-GV6S	45	30	16	14	17	800
5070350	8	P-GV8S	47	32	18	17	19	800
5070331	10	P-GV10S	49	32	17	19	22	800
5070334	12	P-GV12S	51	34	19	22	24	630
5070337	16	P-GV16S	57	38	21	27	30	630
5070339	20	P-GV20S	66	44	23	32	36	420
5070341	25	P-GV25S	74	50	26	41	46	420
5070343	30	P-GV30S	80	54	27	46	50	420
5070345	38	P-GV38S	90	61	29	55	60	400