



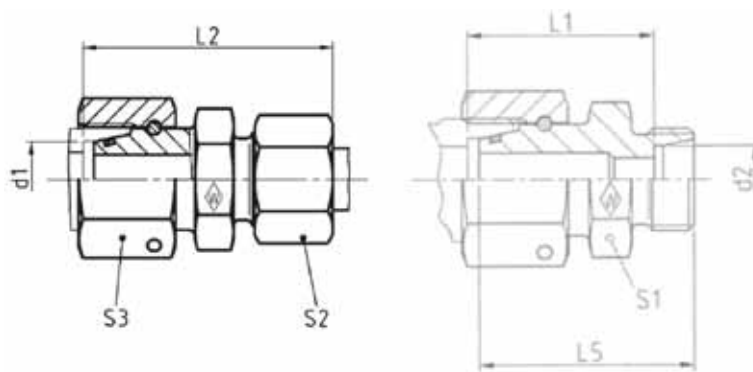
## REDVD-S Reducing Fitting

### Features:

- Two edge cutting ring.
- Cone stop limit to prevent over tightening.
- 6mm to 42mm OD tube sizes in (L) light and (S) heavy series.
- Best cutting ring pressure performance.

### Benefits:

- Reliable first time assembly.
- High sealing efficiency for cutting ring technology.
- High nominal pressure L Series - up to 600 bar S Series - up to 800 bar.
- Available in stainless steel body & nut on request \* WalproX stainless ring now available.



Primary Item No	d1 O/D	d2 O/D	Part No	L5 mm	L2 mm	L1 mm	S1 A/F mm	S2 A/F mm	S3 A/F mm	O'Ring	Max WP Bar
5070441	16	12	P-REDVD-16/12S	36,5	47	31,5	22	24	30	14x2	630
5070442	20	12	P-REDVD-20/12S	40	51	35,5	27	24	36	17,3x2,4	420
5070443	20	16	P-REDVD-20/16S	42	54,5	38,5	27	30	36	17,3x2,4	420
5070444	25	16	P-REDVD-25/16S	43	57	39	36	30	46	22,3x2,4	420
5070445	25	20	P-REDVD-25/20S	45	60	39	36	36	46	22,3x2,4	420
5071242	30	8	P-REDVD-30/8S	45	58,5	44	41	19	50	27,3x2,4	400
5071237	30	10	P-REDVD-30/10S	45	59	43,5	41	22	50	27,3x2,4	400
5071238	30	12	P-REDVD-30/12S	45	59	43,5	41	24	50	27,3x2,4	400
5071240	30	16	P-REDVD-30/16S	47	62,5	44,5	41	30	50	27,3x2,4	400
5070447	30	20	P-REDVD-30/20S	49	65,5	44,5	41	36	50	27,3x2,4	400
5070448	30	25	P-REDVD-30/25S	51	68,5	45	41	46	50	27,3x2,4	400
5071253	38	16	P-REDVD-38/16S	48	66	48	50	30	60	35x2,5	400
5071254	38	20	P-REDVD-38/20S	50	69	48	50	36	60	35x2,5	400
5070450	38	25	P-REDVD-38/25S	52	72	48,5	50	46	60	35x2,5	400
5070451	38	30	P-REDVD-38/302S	54	75	49	50	50	60	35x2,5	400