



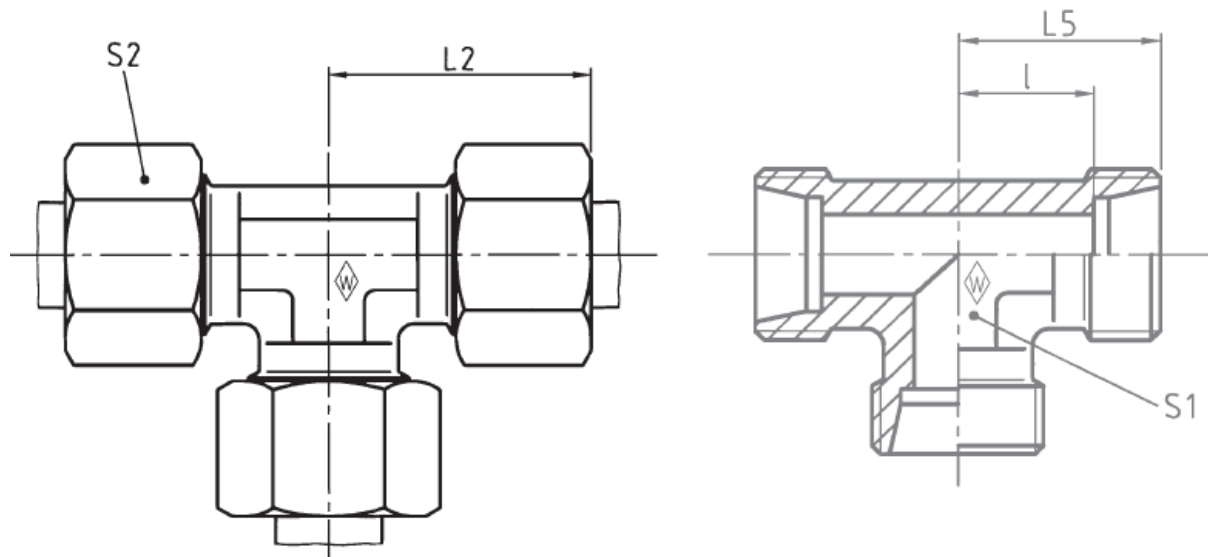
## TV-S Equal Tee

### Benefits

- Reliable first time assembly.
- High sealing efficiency for cutting ring technology.
- High nominal pressure L Series - up to 600 bar S Series - up to 800 bar.
- Available in stainless steel body & nut on request \* WalproX stainless ring now available.

### Features

- Two edge cutting ring.
- Cone stop limit to prevent over tightening.
- 6mm to 42mm OD tube sizes in (L) light and (S) heavy series.
- Best cutting ring pressure performance.



Primary Item No	Tube O/D	Part No	L <sub>2</sub> mm	L <sub>5</sub> mm	l mm	S <sub>1</sub> A/F mm	S <sub>2</sub> A/F mm	Max WP Bar
5070368	6	P-TV6S	31	23	16	12	17	800
5070370	8	P-TV8S	32	24	17	14	19	800
5070353	10	P-TV10S	34	25	17,5	17	22	800
5070355	12	P-TV12S	38	29	21,5	17	24	630
5070357	16	P-TV16S	43	33	24,5	24	30	630
5070359	20	P-TV20S	48	37	26,5	27	36	420
5070361	25	P-TV25S	54	42	30	36	46	420
5070363	30	P-TV30S	62	49	35,5	41	50	420
5070365	38	P-TV38S	72	57	41	50	60	400

**Supplied By**  
Primary Fluid Power Limited  
Caddick Road  
Knowsley Business Park  
L34 9HP  
Tel No. +44(0)151 632 9500  
Fax No. +44(0)151 548 9896  
[www.PrimaryFP.co.uk](http://www.PrimaryFP.co.uk)