



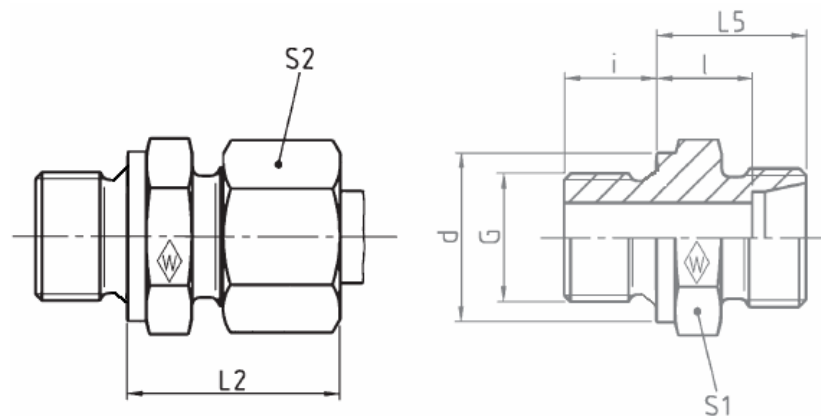
## GEV-SR FOA Male Stud Coupling

### Benefits

- Reliable first time assembly.
- High sealing efficiency for cutting ring technology.
- High nominal pressure L Series - up to 600 bar S Series - up to 800 bar.
- Available in stainless steel body & nut on request \* WalproX stainless ring now available.

### Features

- Two edge cutting ring.
- Cone stop limit to prevent over tightening.
- 6mm to 42mm OD tube sizes in (L) light and (S) heavy series.
- Best cutting ring pressure performance.



Primary Item No	Tube O/D	Thread BSP	Part No	L2 mm	L5 mm	l mm	i mm	d mm	S1 mm	A/F	S2 A/F	Max WP Bar
5071927	6	1/4"	P-GEV6SRFOA	28	20	13	12	18	19	17	630	
5071932	8	1/4"	P-GEV8SRFOA	30	22	15	12	18	19	19	630	
5071893	10	1/4"	P-GEV10SR-1/4FOA	30,5	22	14,5	12	18	19	22	630	
5071894	10	3/8"	P-GEV10SRFOA	31	22,5	15	12	22	22	22	630	
5071892	10	1/2"	P-GEV10SR-1/2FOA	33,5	25	17,5	14	26	27	22	630	
5071899	12	1/4"	P-GEV12SR-1/4FOA	32,5	24	16,5	12	18	22	24	630	
5071900	12	3/8"	P-GEV12SRFOA	33	24,5	17	12	22	22	24	630	
5071898	12	1/2"	P-GEV12SR-1/2FOA	34	25	17,5	14	26	27	24	630	
5071904	16	3/8"	P-GEV16SR-3/8FOA	36,5	26	18	12	22	27	30	630	
5071905	16	1/2"	P-GEV16SRFOA	37	27	18,5	14	26	27	30	630	
5071908	20	1/2"	P-GEV20SR-1/2FOA	40	31	18,5	14	26	32	36	400	
5071909	20	3/4"	P-GEV20SRFOA	42	31	20,5	16	32	32	36	400	
5071912	25	3/4"	P-GEV25SR-3/4FOA	47	35	23	16	32	41	46	400	
5071913	25	1"	P-GEV25SRFOA	47	35	23	18	39	41	46	400	
5071916	30	1"	P-GEV30SR-1FOA	50	37	23,5	18	39	50	50	250	
5071918	30	1-1/4"	P-GEV30SRFOA	50	37	23,5	20	49	50	50	250	
5071920	38	1-1/4"	P-GEV38SR-11/4FOA	57	42	26	20	49	55	60	250	
5071921	38	1-1/2"	P-GEV38SRFOA	57	42	26	22	55	55	60	250	

**Supplied By**  
Primary Fluid Power Limited  
Caddick Road  
Knowsley Business Park  
L34 9HP  
Tel No. +44(0)151 632 9500  
Fax No. +44(0)151 548 9896  
[www.PrimaryFP.co.uk](http://www.PrimaryFP.co.uk)