



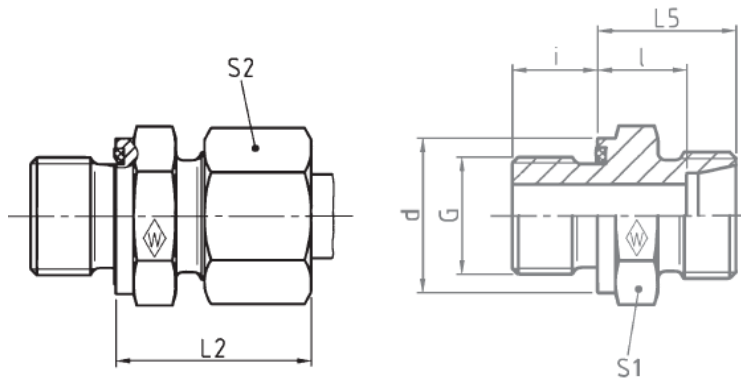
GEV-SRWD Male Stud Coupling

Benefits

- Reliable first time assembly.
- High sealing efficiency for cutting ring technology.
- High nominal pressure L Series - up to 600 bar S Series - up to 800 bar.
- Available in stainless steel body & nut on request * WalproX stainless ring now available.

Features

- Two edge cutting ring.
- Cone stop limit to prevent over tightening.
- 6mm to 42mm OD tube sizes in (L) light and (S) heavy series.
- Best cutting ring pressure performance.



Primary Item No	Tube O/D	Thread BSP	Part No	L ₂ mm	L ₅ mm	l mm	i mm	d mm	S ₁ A/F mm	S ₂ A/F mm	Max WP Bar
5070254	6	1/4"	P-GEV6SRWD	28	20	13	12	18,9	19	17	800
5071031	8	1/4"	P-GEV8SRWD	30	22	15	12	18,9	19	19	800
5070256	8	3/8"	P-GEV8SR-3/8WD	30,5	22,5	15,5	12	21,9	22	19	800
5070258	10	1/4"	P-GEV10SR-1/4WD	30,5	22	14,5	12	18,9	19	22	800
5070257	10	3/8"	P-GEV10SRWD	31	22,5	15	12	21,9	22	22	800
5070233	10	1/2"	P-GEV10SR-1/2WD	33,5	25	17,5	14	26,9	27	22	800
5070232	12	1/4"	P-GEV12SR-1/4WD	32,5	24	16,5	12	18,9	22	24	630
5070231	12	3/8"	P-GEV12SRWD	33	24,5	17	12	21,9	22	24	630
5070237	12	1/2"	P-GEV12SR-1/2WD	34	25	17,5	14	26,9	27	24	630
5070238	14	1/2"	P-GEV14SRWD	37	27	19	14	26,9	27	27	630
5074097	16	3/8"	P-GEV16SR-3/8WD	36,5	26	18	12	21,9	27	30	630
5074098	16	1/2"	P-GEV16SRWD	37	27	18,5	14	26,9	27	30	630
5070242	16	3/4"	P-GEV16SR-3/4WD	39	29	20,5	16	31,9	32	30	630
5070244	20	1/2"	P-GEV20SR-1/2WD	40	31	18,5	14	26,9	32	36	420
5074099	20	3/4"	P-GEV20SRWD	42	31	20,5	16	31,9	32	36	420
5070246	20	1"	P-GEV20SR-1WD	47	33	22,5	18	39,9	32	36	420
5070249	25	3/4"	P-GEV25SR-3/4WD	47	35	23	16	31,9	41	46	420
5074098	25	1"	P-GEV25SRWD	47	35	23	18	39,9	41	46	420
5070242	30	3/4"	P-GEV30SR-3/4WD	50	37	23,5	16	31,9	50	50	420
5070244	30	1"	P-GEV30SR-1WD	50	37	23,5	18	39,9	50	50	420
5074099	30	1-1/4"	P-GEV30SRWD	50	37	23,5	20	49,9	50	50	420
5070246	38	1-1/4"	P-GEV38SR11/4WD	57	42	26	20	49,9	55	60	420
5070249	38	1-1/2"	P-GEV38SRWD	57	42	26	22	54,9	55	60	420

Supplied By
Primary Fluid Power Limited
Caddick Road
Knowsley Business Park
L34 9HP
Tel No. +44(0)151 632 9500
Fax No. +44(0)151 548 9896
www.PrimaryFP.co.uk