



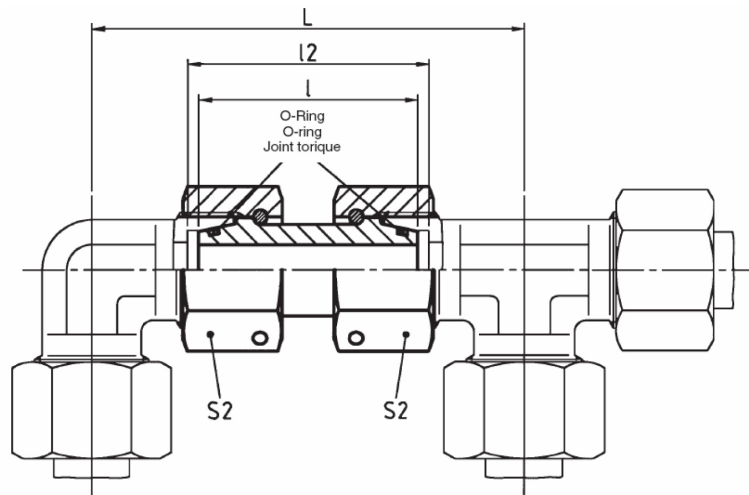
SNV-S Reducing Fitting

Features:

- Two edge cutting ring.
- Cone stop limit to prevent over tightening.
- 6mm to 42mm OD tube sizes in (L) light and (S) heavy series.
- Best cutting ring pressure performance.

Benefits:

- Reliable first time assembly.
- High sealing efficiency for cutting ring technology.
- High nominal pressure L Series - up to 600 bar S Series - up to 800 bar.
- Available in stainless steel body & nut on request * WalproX stainless ring now available.



Primary Item No	Tube O/D	Part No	L1 mm	l mm	l2 mm	S2 A/F mm	O'Ring	Max WP Bar
5070467	6	SNV6S	71	37	39	17	4,5x1,5	800
5070468	8	SNV8S	73	37	39	19	6x1,5	800
5070460	10	SNV10S	78	41	43	22	8,5x1,5	800
5070461	12	SNV12S	87	42	44	24	10x1,5	630
5070462	16	SNV16S	99	46	50	30	14x2	630
5070463	20	SNV20S	112,5	55	59,5	36	17,3x2,4	420
5070464	25	SNV25S	125,5	58	65,5	46	22,3x2,4	420
5070465	30	SNV30S	143,5	62	72,5	50	27,3x2,4	400
5070466	38	SNV38S	164,5	67	82,5	60	35x2,5	400