



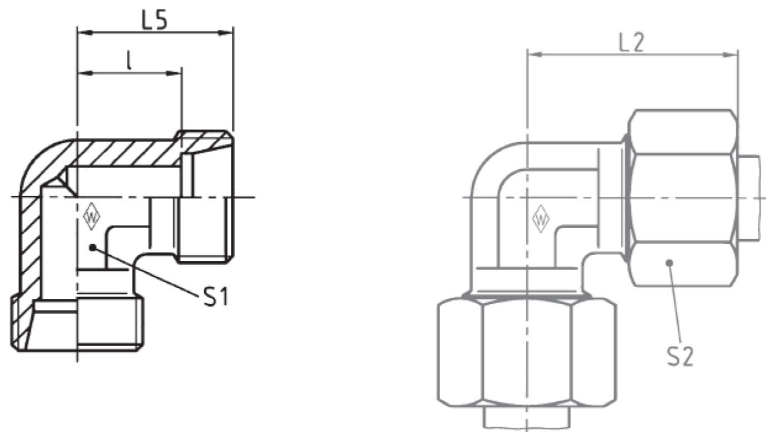
WV-S Equal Elbow

Features:

- Two edge cutting ring.
- Cone stop limit to prevent over tightening.
- 6mm to 42mm OD tube sizes in (L) light and (S) heavy series.
- Best cutting ring pressure performance.

Benefits:

- Reliable first time assembly.
- High sealing efficiency for cutting ring technology.
- High nominal pressure L Series - up to 600 bar S Series - up to 800 bar.
- Available in stainless steel body & nut on request * WalproX stainless ring now available.



Primary Item No	Tube O/D	Part No	L2 mm	L5 mm	l mm	S1 A/F mm	S2 A/F mm	Max WP Bar
5070388	6	P-WV6S	31	23	16	12	17	800
5070390	8	P-WV8S	32	24	17	14	19	800
5070372	10	P-WV10S	34	25	17,5	17	22	800
5070374	12	P-WV12S	38	29	21,5	17	24	630
5070377	16	P-WV16S	43	33	24,5	24	30	630
5070379	20	P-WV20S	48	37	26,5	27	36	420
5070381	25	P-WV25S	54	42	30	36	46	420
5070383	30	P-WV30S	62	49	35,5	41	50	420
5070385	38	P-WV38S	72	57	41	50	60	400