



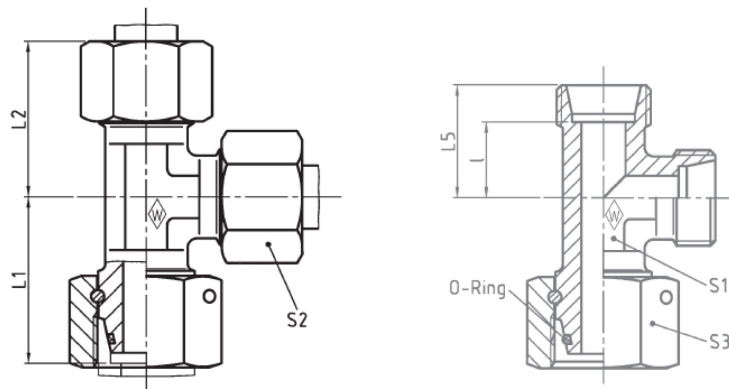
## ELVD-L Adjustable Male Stud Tee-Stud

### Features:

- Two edge cutting ring.
- Cone stop limit to prevent over tightening.
- 6mm to 42mm OD tube sizes in (L) light and (S) heavy series.
- Best cutting ring pressure performance.

### Benefits:

- Reliable first time assembly.
- High sealing efficiency for cutting ring technology.
- High nominal pressure L Series - up to 600 bar S Series - up to 800 bar.
- Available in stainless steel body & nut on request \* WalproX stainless ring now available.



Primary Item No	Tube O/D	Part No	L1 mm	L2 mm	L5 mm	l mm	S1 A/F mm	S2 A/F mm	S3 A/F mm	O-Ring	Max WP Bar
5070798	6	P-ELVD6L	26	29	21	14	12	14	17	4,5x1,5	500
5070799	8	P-ELVD8L	27,5	29	21	14	12	17	17	6x1,5	500
5070790	10	P-ELVD10L	29	30	22	15	14	19	19	8,5x1,5	500
5074070	12	P-ELVD12L	29,5	32	24	17	17	22	22	10x1,5	400
5070792	15	P-ELVD15L	32,5	36	28	21	19	27	27	12x2	400
5070793	18	P-ELVD18L	35,5	40	31	23,5	24	32	32	15x2	400
5070794	22	P-ELVD22L	38,5	44	35	27,5	27	36	36	20x2	250
5070795	28	P-ELVD28L	41,5	47	38	30,5	36	41	46	26x2	250
5070796	35	P-ELVD35L	51	56	45	34,5	41	50	50	32x2,5	250
5070797	42	P-ELVD42L	56	63	51	40	50	60	60	38x2,5	250