



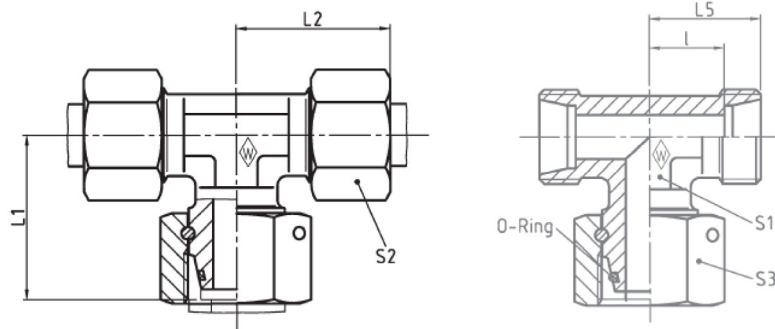
ETVD-L Adjustable Equal Tee

Features:

- Two edge cutting ring.
- Cone stop limit to prevent over tightening.
- 6mm to 42mm OD tube sizes in (L) light and (S) heavy series.
- Best cutting ring pressure performance.

Benefits:

- Reliable first time assembly.
- High sealing efficiency for cutting ring technology.
- High nominal pressure L Series - up to 600 bar S Series - up to 800 bar.
- Available in stainless steel body & nut on request * WalproX stainless ring now available.



Primary Item No	Tube O/D	Part No	L1 mm	L2 mm	L5 mm	l mm	S1 A/F mm	S2 A/F mm	S3 A/F mm	O-Ring	Max WP Bar
5070845	6	P-ETVD6L	26	29	21	14	12	14	17	4,5x1,5	500
5070846	8	P-ETVD8L	27,5	29	21	14	12	17	17	6x1,5	500
5070836	10	P-ETVD10L	29	30	22	15	14	19	19	8,5x1,5	500
5070837	12	P-ETVD12L	29,5	32	24	17	17	22	22	10x1,5	400
5070839	15	P-ETVD15L	32,5	36	28	21	19	27	27	12x2	400
5070840	18	P-ETVD18L	35,5	40	31	23,5	24	32	32	15x2	400
5070841	22	P-ETVD22L	38,5	44	35	27,5	27	36	36	20x2	250
5070842	28	P-ETVD28L	41,5	47	38	30,5	36	41	46	26x2	250
5070843	35	P-ETVD35L	51	56	45	34,5	41	50	50	32x2,5	250
5070844	42	P-ETVD42L	56	63	51	40	50	60	60	38x2,5	250