



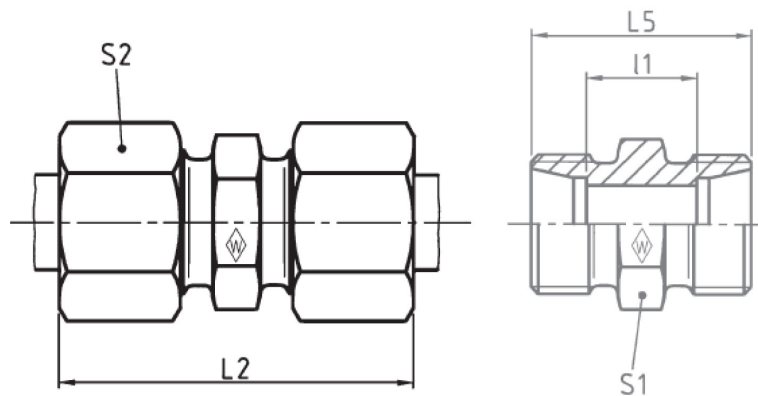
GV-L Straight Coupling

Features:

- Two edge cutting ring.
- Cone stop limit to prevent over tightening.
- 6mm to 42mm OD tube sizes in (L) light and (S) heavy series.
- Best cutting ring pressure performance.

Benefits:

- Reliable first time assembly.
- High sealing efficiency for cutting ring technology.
- High nominal pressure L Series - up to 600 bar S Series - up to 800 bar.
- Available in stainless steel body & nut on request * WalproX stainless ring now available.



Primary Item No	Tube O/D	Part No	L2 mm	L5 mm	l mm	S1 A/F mm	S2 A/F mm	Max WP Bar
5070347	6	P-GV6L	39	24	10	12	14	500
5070349	8	P-GV8L	40	25	11	14	17	500
5070330	10	P-GV10L	42	27	13	17	19	500
5070333	12	P-GV12L	43	28	14	19	22	400
5070336	15	P-GV15L	46	30	16	24	27	400
5070338	18	P-GV18L	48	31	16	27	32	400
5070340	22	P-GV22L	52	35	20	32	36	250
5070342	28	P-GV28L	54	36	21	41	41	250
5070344	35	P-GV35L	63	41	20	46	50	250
5070346	42	P-GV42L	66	43	21	55	60	250