



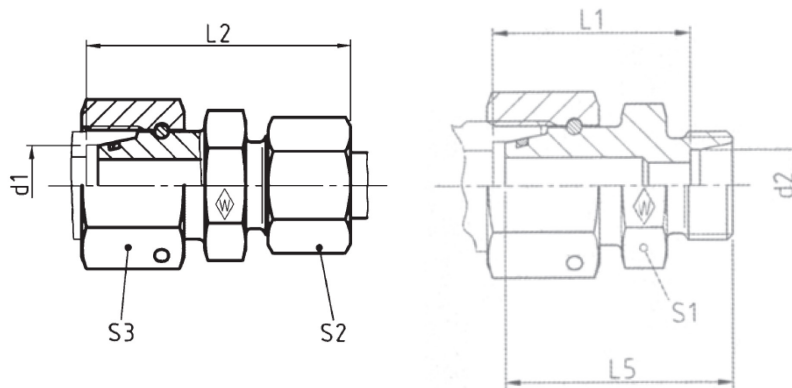
REDVD-L Reducing Fitting

Features:

- Two edge cutting ring.
- Cone stop limit to prevent over tightening.
- 6mm to 42mm OD tube sizes in (L) light and (S) heavy series.
- Best cutting ring pressure performance.

Benefits:

- Reliable first time assembly.
- High sealing efficiency for cutting ring technology.
- High nominal pressure L Series - up to 600 bar S Series - up to 800 bar.
- Available in stainless steel body & nut on request * WalproX stainless ring now available.



Primary Item No	d1 O/D	d2 O/D	Part No	L5 mm	L2 mm	L1 mm	S1 A/F mm	S2 A/F mm	S3 A/F mm	O'Ring	Max WP Bar
5070446	28	22	P-REDVD-28/22L	43,5	53,5	37,5	36	36	46	26x2	250
5070449	35	28	P-REDVD-35/28L	45	56,5	40,5	46	41	50	32x2,5	250
5070452	42	35	P-REDVD-42/35L	50	63,5	43	50	50	60	38x2,5	250