



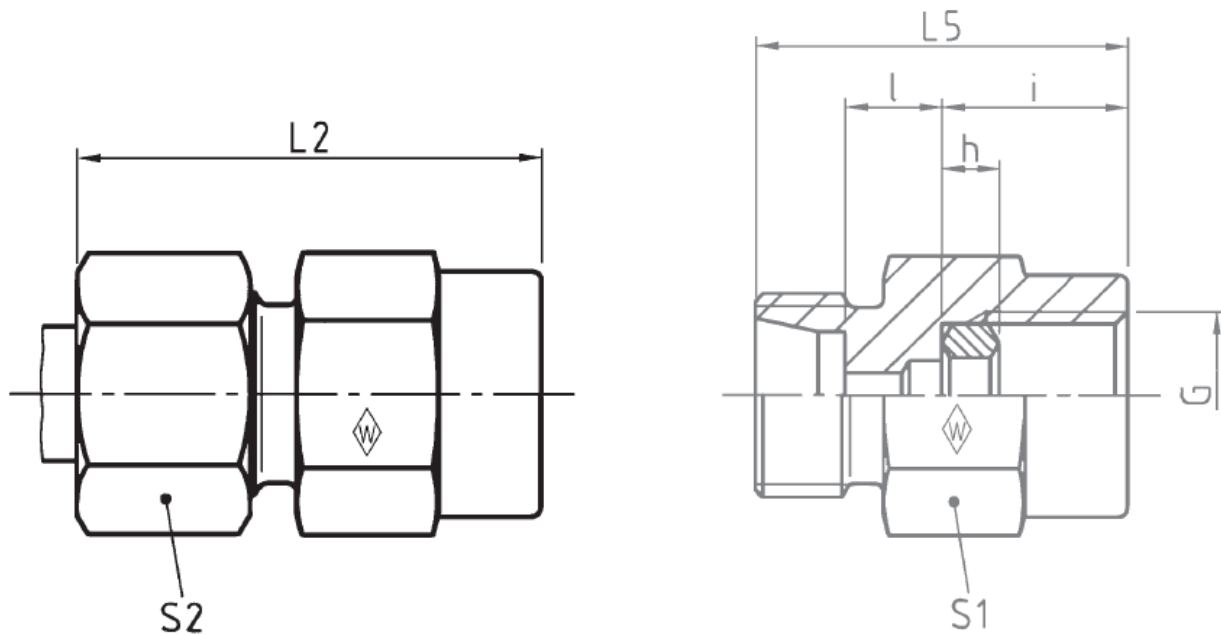
MAV-LR Gauge Coupling c/w Sealing Ring

Benefits

- Reliable first time assembly.
- High sealing efficiency for cutting ring technology.
- High nominal pressure L Series - up to 600 bar S Series - up to 800 bar.
- Available in stainless steel body & nut on request * WalproX stainless ring now available.

Features

- Two edge cutting ring.
- Cone stop limit to prevent over tightening.
- 6mm to 42mm OD tube sizes in (L) light and (S) heavy series.
- Best cutting ring pressure performance.



Primary Item No	Tube O/D	Thread BSP	Part No	L ₂ mm	L ₅ mm	l mm	i mm	h mm	S ₁ A/F mm	S ₂ A/F mm	Max WP Bar
5070446	6	1/4"	P-MAV6LR	37	14,5	7,5	14,5	4,5	19	14	500
5070449	8	1/42"	P-MAV8LR	37	14,5	7,5	14,5	4,5	19	17	500
5070446	10	1/4"	P-MAV10LR	38	15,5	8,5	14,5	4,5	19	19	500
5070449	12	14"	P-MAV12LR	38	15,5	8,5	14,5	4,5	19	22	400

Supplied By
Primary Fluid Power Limited
Caddick Road
Knowsley Business Park
L34 9HP
Tel No. +44(0)151 632 9500
Fax No. +44(0)151 548 9896
www.PrimaryFP.co.uk