



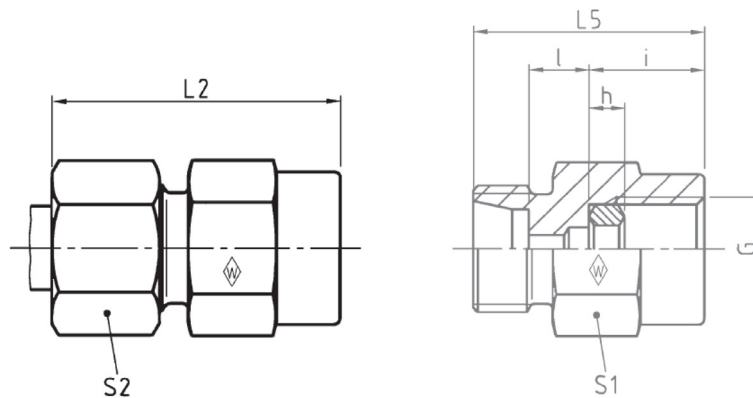
MAV-LR Gauge Coupling c/w Sealing Ring

Features:

- Two edge cutting ring.
- Cone stop limit to prevent over tightening.
- 6mm to 42mm OD tube sizes in (L) light and (S) heavy series.
- Best cutting ring pressure performance.

Benefits:

- Reliable first time assembly.
- High sealing efficiency for cutting ring technology.
- High nominal pressure L Series - up to 600 bar S Series - up to 800 bar.
- Available in stainless steel body & nut on request * WalproX stainless ring now available.



Primary Item No	Tube O/D	Thread BSP	Part No	L2 mm	L5 mm	l mm	i mm	h mm	S1 A/F mm	S2 A/F mm	Max WP Bar
5070446	6	1/4"	P-MAV6LR	37	14,5	7,5	14,5	4,5	19	14	500
5070449	8	1/42"	P-MAV8LR	37	14,5	7,5	14,5	4,5	19	17	500
5070446	10	1/4"	P-MAV10LR	38	15,5	8,5	14,5	4,5	19	19	500
5070449	12	1/4"	P-MAV12LR	38	15,5	8,5	14,5	4,5	19	22	400