



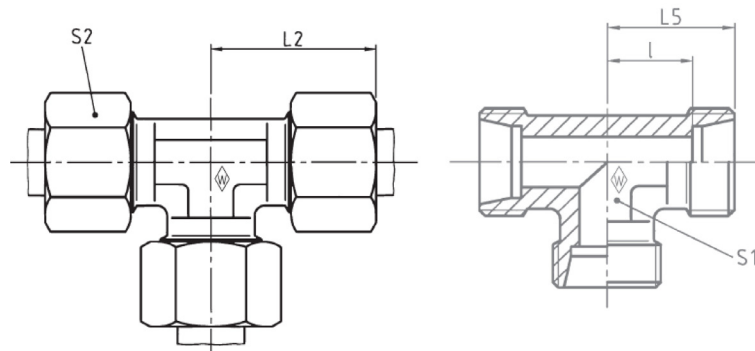
TV-L Equal Tee

Features:

- Two edge cutting ring.
- Cone stop limit to prevent over tightening.
- 6mm to 42mm OD tube sizes in (L) light and (S) heavy series.
- Best cutting ring pressure performance.

Benefits:

- Reliable first time assembly.
- High sealing efficiency for cutting ring technology.
- High nominal pressure L Series - up to 600 bar S Series - up to 800 bar.
- Available in stainless steel body & nut on request * WalproX stainless ring now available.



Primary Item No	Tube O/D	Part No	L2 mm	L5 mm	l mm	S1 A/F mm	S2 A/F mm	Max WP Bar
5070367	6	P-TV6L	27	19	12	12	14	500
5070369	8	P-TV8L	29	21	14	12	17	500
5070352	10	P-TV10L	30	22	15	14	19	500
5070354	12	P-TV12L	32	24	17	17	22	400
5070356	15	P-TV15L	36	28	21	19	27	400
5070358	18	P-TV18L	40	31	23,5	24	32	400
5070360	22	P-TV22L	44	35	27,5	27	36	250
5070362	28	P-TV28L	47	38	30,5	36	41	250
5070364	35	P-TV35L	56	45	34,5	41	50	250
5070366	42	P-TV42L	63	51	40	50	60	250