



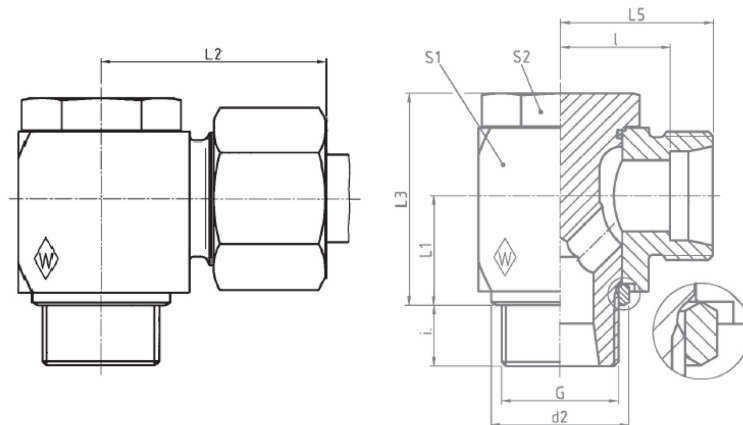
## RSWV-LR Banjo Coupling

### Features:

- Two edge cutting ring.
- Cone stop limit to prevent over tightening.
- 6mm to 42mm OD tube sizes in (L) light and (S) heavy series.
- Best cutting ring pressure performance.

### Benefits:

- Reliable first time assembly.
- High sealing efficiency for cutting ring technology.
- High nominal pressure L Series - up to 600 bar S Series - up to 800 bar.
- Available in stainless steel body & nut on request \* WalproX stainless ring now available.



Primary Item No	Tube O/D	Thread BSP	Part No	L1 mm	L2 mm	L3 mm	L5 mm	l mm	i mm	d1 mm	d2 mm	S1 A/F mm	S2 A/F mm	Max WP Bar
5074687	6	1/4"	P-RSWV6LR-1/4	13,5	29,5	27	22	15	10	18,9	17,8	19	19	500
5070459	8	1/4"	P-RSWV8LR	13,5	28,5	27	21	14	10	18,9	17,8	19	19	500
5070453	10	1/4"	P-RSWV10LR	13,5	29,5	27	22	15	10	18,9	17,8	19	19	500
5070456	22	3/4"	P-RSWV22LR	24	43	48	34,5	27	16	32,9	32	36	32	250
5071332	28	1"	P-RSWV28LR	30,5	48	59	39	31,5	18	39,9	39	46	41	250