



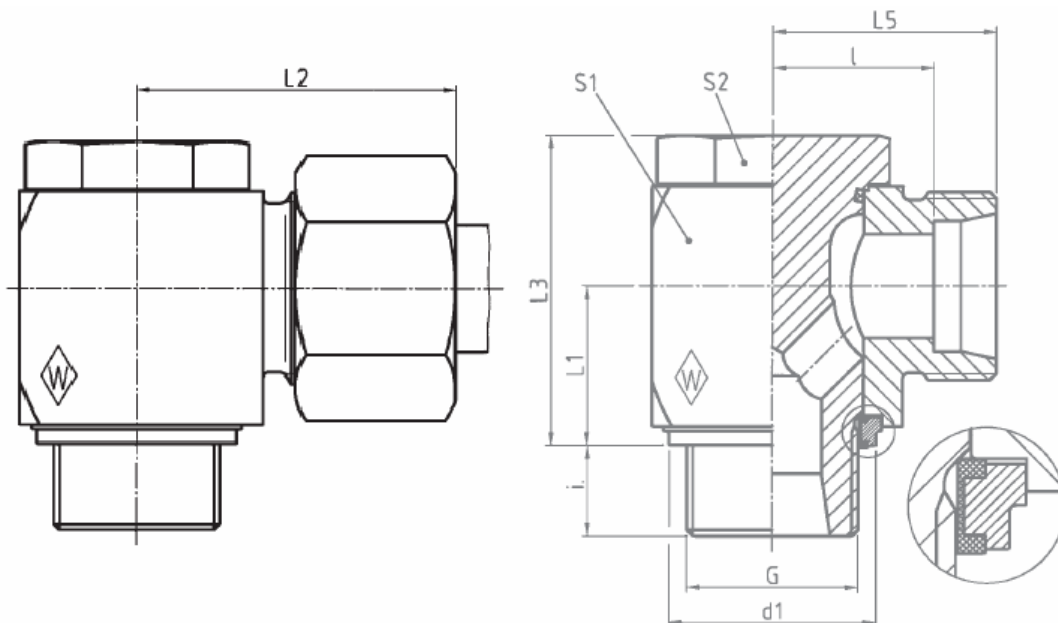
## RSWV-LRWD Banjo Coupling

### Benefits

- Reliable first time assembly.
- High sealing efficiency for cutting ring technology.
- High nominal pressure L Series - up to 600 bar S Series - up to 800 bar.
- Available in stainless steel body & nut on request \* WalproX stainless ring now available.

### Features

- Two edge cutting ring.
- Cone stop limit to prevent over tightening.
- 6mm to 42mm OD tube sizes in (L) light and (S) heavy series.
- Best cutting ring pressure performance.



Primary Item No	Tube O/D	Thread BSP	Part No	L1 mm	L2 mm	L3 mm	L5 mm	l mm	i mm	d1 mm	d2 mm	S1 A/F mm	S2 A/F mm	O'Ring	Max WP Bar
5070458	6	1/8"	P-RSWV6LRWD	10	27,5	21	20	13	8	14,9	13	14	14	8,5x1,5	500
5073007	6	1/4"	P-RSWV6LR-1/4WD	13,5	29,5	27	22	15	10	18,9	17,8	19	19	11x2	500
5070454	12	3/8"	P-RSWV12LRWD	15,5	29,5	30	22	15	10	18,9	17,8	22	19	14,5x2	400
5070455	15	1/2"	P-RSWV15LRWD	19,5	36	43	28	21	14	26,9	26	30	27	19,5x2	400
5071325	22	3/4"	P-RSWV22LRWD	24	43	48	34,5	27	16	32,9	32	36	32	26x1,5	250
5070457	35	1-1/4"	P-RSWV35LRWD	35,5	57	70	46	35,5	20	49,9	49	55	50	40x2	250

**Supplied By**  
 Primary Fluid Power Limited  
 Caddick Road  
 Knowsley Business Park  
 L34 9HP  
 Tel No. +44(0)151 632 9500  
 Fax No. +44(0)151 548 9896  
[www.PrimaryFP.co.uk](http://www.PrimaryFP.co.uk)