



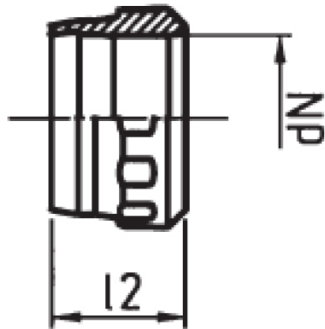
PR-L/S Profile Ring

Features:

- Two edge cutting ring.
- Cone stop limit to prevent over tightening.
- 6mm to 42mm OD tube sizes in (L) light and (S) heavy series.
- Best cutting ring pressure performance.

Benefits:

- Reliable first time assembly.
- High sealing efficiency for cutting ring technology.
- High nominal pressure L Series - up to 600 bar S Series - up to 800 bar.
- Available in stainless steel body & nut on request * WalproX stainless ring now available.



Primary Item No	Tube O/D	Part No	12 mm	Max WP Bar
5070274	6	PR6L/S	9,8	500/800
5070275	8	PR8L/S	9,5	500/800
5070260	10	PR10L/S	10	500/800
5070261	12	PR12L/S	9,5	400/630
5070262	14	PR14S	10	630
5070263	15	PR15L	9,8	400
5070264	16	PR16S	10,3	630
5070265	18	PR18L	9,8	400
5070266	20	PR20S	12	420
5070267	22	PR22L	10,5	250
5070268	25	PR25S	12	420
5070269	28	PR28L	11	250
5070270	30	PR30S	13	420
5070271	35	PR35L	13	250
5070272	38	PR38S	13	420
5070273	42	PR42L	13	250