



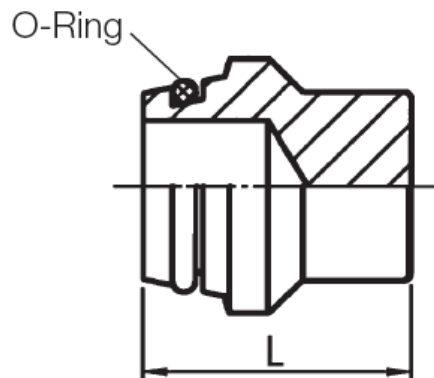
## VSD-L/S Blanking Plug (Tube)

### Benefits

- Reliable first time assembly.
- High sealing efficiency for cutting ring technology.
- High nominal pressure L Series - up to 600 bar S Series - up to 800 bar.
- Available in stainless steel body & nut on request \* WalproX stainless ring now available.

### Features

- Two edge cutting ring.
- Cone stop limit to prevent over tightening.
- 6mm to 42mm OD tube sizes in (L) light and (S) heavy series.
- Best cutting ring pressure performance.



Primary Item No	Tube O/D	Part No	L mm	O'Ring	Max WP Bar
5070294	6	VSD6L/S	17	4,5x1,5	800
5070296	8	VSD8L/S	17	6x1,5	800
5070279	10	VSD10L/S	20	8,5x1,5	800
5070280	12	VSD12L/S	21	10x1,5	630
5070281	14	VSD14S	23	12x2	630
5070282	15	VSD15L	20	12x2	400
5070283	16	VSD16S	24	14x2	630
5070284	18	VSD18L	21	15x2	400
5070285	20	VSD20S	28	17,3x2,4	420
5070286	22	VSD22L	23	20x2	250
5070287	25	VSD25S	31	22,3x2,4	420
5070288	28	VSD28L	23	26x2	250
5070289	30	VSD30S	34	27,3x2,4	420
5070290	35	VSD35L	29	32x2,5	250
5070291	38	VSD38S	38	35x2,5	420
5070293	42	VSD42L	30	38x2,5	250

**Supplied By**  
Primary Fluid Power Limited  
Caddick Road  
Knowsley Business Park  
L34 9HP  
Tel No. +44(0)151 632 9500  
Fax No. +44(0)151 548 9896  
[www.PrimaryFP.co.uk](http://www.PrimaryFP.co.uk)