



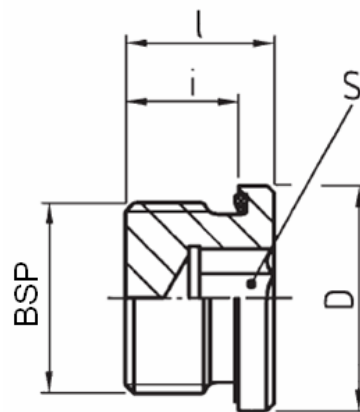
VSR-WD Blanking Plug (BSP)

Benefits

- Reliable first time assembly.
- High sealing efficiency for cutting ring technology.
- High nominal pressure L Series - up to 600 bar S Series - up to 800 bar.
- Available in stainless steel body & nut on request * WalproX stainless ring now available.

Features

- Two edge cutting ring.
- Cone stop limit to prevent over tightening.
- 6mm to 42mm OD tube sizes in (L) light and (S) heavy series.
- Best cutting ring pressure performance.



Primary Item No	Thread BSP	Part No	D mm	l mm	i mm	S A/F mm	Max WP Bar
5070313	1/8"	VSR1/8WD A2L	14	12	8	5	400
5070312	1/4"	VSR1/4WD A3L	19	17	12	6	400
5070316	3/8"	VSR3/8WD A3L	22	17	12	8	400
5070311	1/2"	VSR1/2WD A3L	27	19	14	10	400
5070315	3/4"	VSR3/4WD A3L	32	21	16	12	400
5070314	1"	VSR1WD A3L	40	22,5	16	17	400
5070310	1-1/4"	VSR1-1/4WD A3L	50	22,5	16	22	250
5070309	1-1/2"	VSR1-1/2WD A3L	55	22,5	16	24	250

Supplied By
Primary Fluid Power Limited
Caddick Road
Knowsley Business Park
L34 9HP
Tel No. +44(0)151 632 9500
Fax No. +44(0)151 548 9896
www.PrimaryFP.co.uk