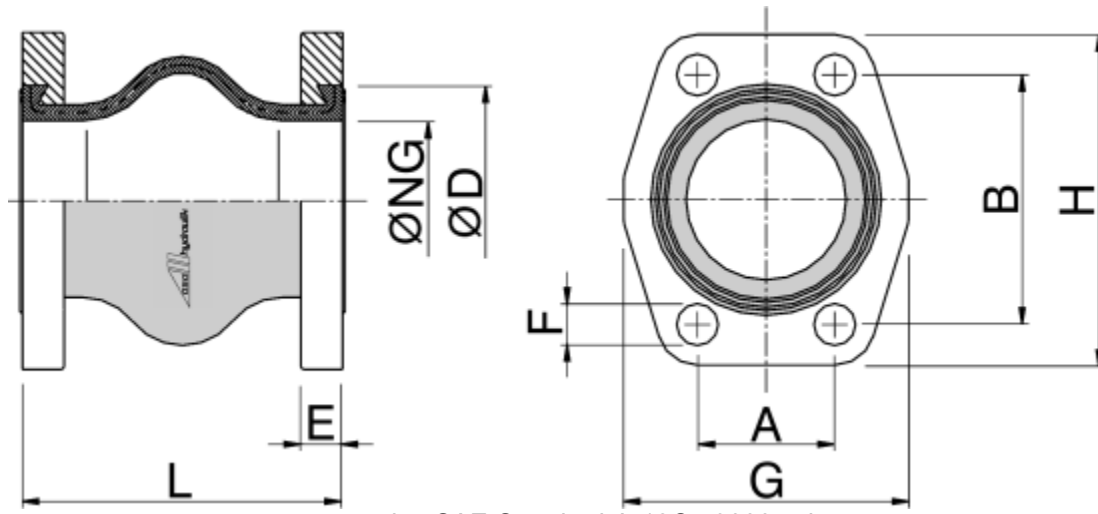


Compensator K 16 S



connection SAE-Standard J518C - 3000 psi

technical Data / dimension

order number	description	NG		A	B	C	D	E	F	G	H	K	L	weight
		SAE	mm	[in]	[in]	[in]	[in]	[in]	[in]	[in]	[in]	[in]	[in]	[lbs]
SDKSS025	K 16 S - 25	1"	25	10.31	2.06	-	4.69	0.43	0.43	2.30	2.76	-	2.56	0.9
SDKSS032	K 16 S - 32	1¼"	32	1.19	2.31	-	1.97	0.43	0.51	2.87	3.19	-	2.56	1.1
SDKSS040	K 16 S - 40	1½"	40	1.41	2.76	-	2.83	0.51	0.51	3.27	3.74	-	3.94	1.8
SDKSS050	K 16 S - 50	2"	50	1.69	3.06	-	2.83	0.51	0.51	3.82	4.06	-	3.94	2.2
SDKSS063	K 16 S - 63	2½"	63	2.00	3.50	-	3.43	0.55	0.51	4.29	4.53	-	3.94	2.7
SDKSS080	K 16 S - 80	3"	80	2.44	4.19	-	4.09	0.55	0.67	5.16	5.35	-	3.94	4.0
SDKSS090	K 16 S - 90	3½"	80	2.76	4.75	-	4.09	0.55	0.67	5.51	5.98	-	3.94	4.2
SDKSS100	K 16 S - 100	4"	100	3.06	5.13	-	5.12	0.63	0.67	5.98	6.38	-	3.94	5.5
SDKSS126	K 16 S - 125	5"	125	3.62	6.00	-	6.10	0.63	0.67	6.50	7.24	-	3.94	6.6

max. work. pressure	3 ÷ 22 psia	
material	inside	BUNA (NBR)
	outside	CR
	flange	steel