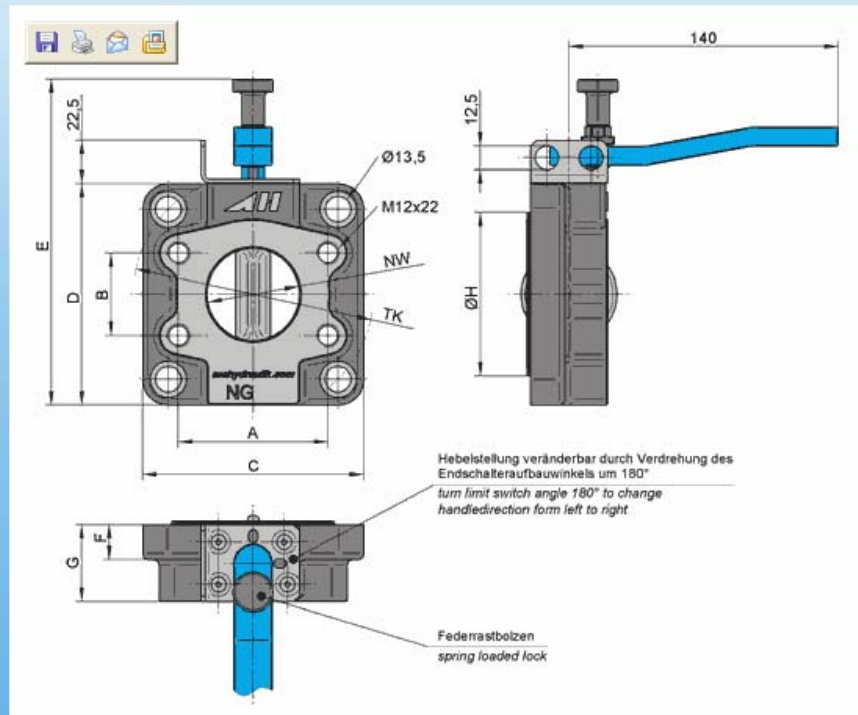




Butterfly flange AF-40, AF-50, AF-63



technical Data / dimension

order number	description	size	A	B	C	D	E	F	G	ØH	ØNW	ØTK	weight
		SAE DIN	[mm]	[mm]	[mm]	[mm]	[mm]	[mm]	[mm]	[mm]	[mm]	[mm]	[kg]
SDA00040W	AF - 40	1½" 40	70,0	35,7	96	96	150	18	40	68	40	110	1,9
SDA00050W	AF - 50	2" 50	77,8	42,9	115	115	170	18	40	87	50	125	2,8
SDA00063W	AF - 63	2½" 63	89,0	50,8	115	115	170	18	40	87	63	125	2,3
Option:	EAFSMmechanical limit switch EAFSI inductive limit switch												

max. differential pressure	6 bar	
material	housing	GGG 40
	butterfly	CK
	gasket	NBR
option	inductive limit switch	10-30 V DC, max. 15mA
	mechanical limit switch	115 V DC, 50mA