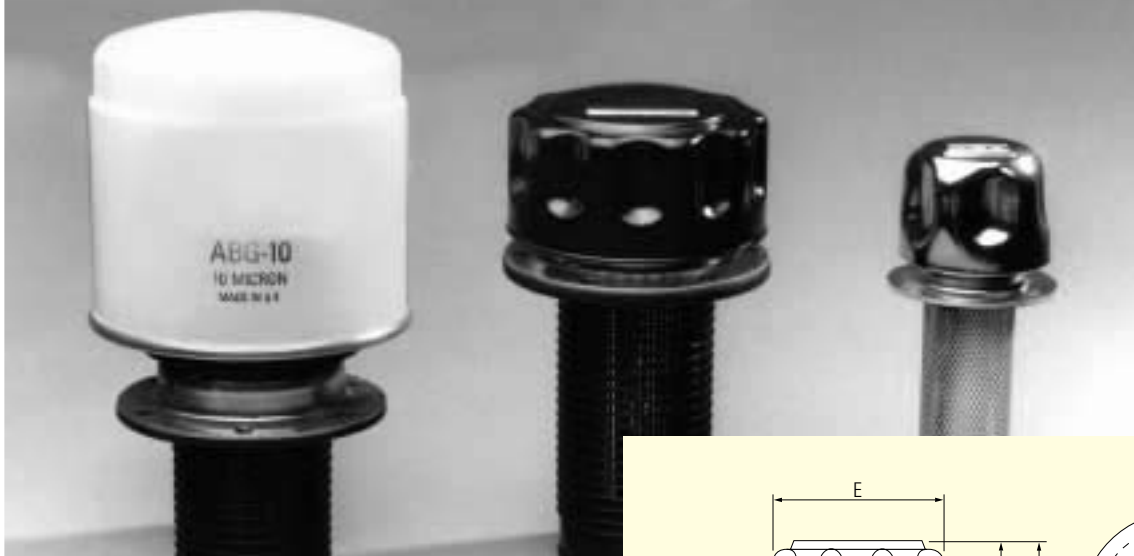


# FILLER BREATHERS METAL, BAYONET

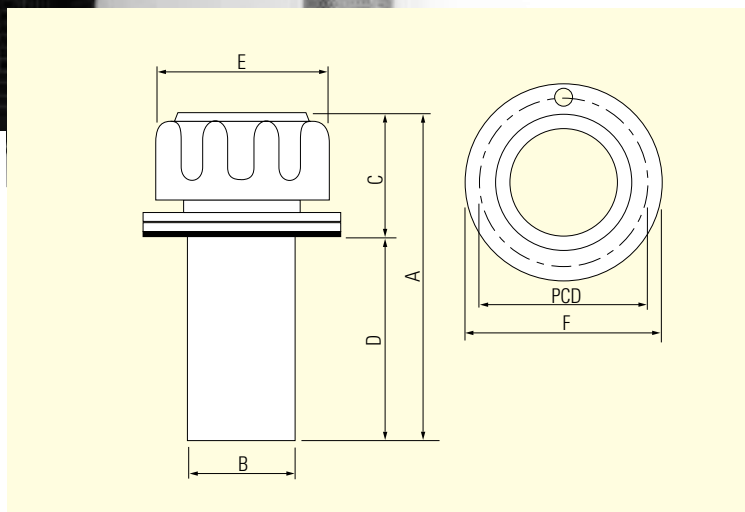


## Specification

- Air flow to 1m<sup>3</sup>/min.
- Element GB series - 10 micron paper.
- others - 10 or 40 micron foam.

## Options

76,152 & 200mm stainless steel baskets (see page C7).  
Lockable versions.  
Weather proof finish versions.  
Dipstick (see page C7)



Series	Displacement L/min		Air flow capacity m <sup>3</sup> /min		Dimensions - mm							No of screws
	10 micron	40 micron	10 micron	40 micron	A	B	C	D	E	F	PCD	
AB	420	700	0.45	0.7	150	50	55	95	75	83	73	6
LA		700		0.7	150	50	50	95	75	83	73	6
MB	135	250	0.15	0.3	110	28	45	65	47	52	41	3
GB	1135		1.0		220	50	127	95	100	83	73	6

Sample Part no:- **AB B - 40 N**

### Series

AB - Air breather\*  
LA - Lockable air breather  
MB - Mini air breather\*  
GB - Giant air breather

### Breather style

B - Bayonet  
BW - Bayonet weather proof (AB only)

### Filtration rate

10 - 10 micron (AB, MB, GB only)  
40 - 40 micron (AB, LA, MB only)

### Options

Blank- None

### Basket style

N - Standard

\* NOTE, AB & MB breathers supplied in packs of 6

Part Number  
Replacement element for GBB-10  
● **ABG-10**