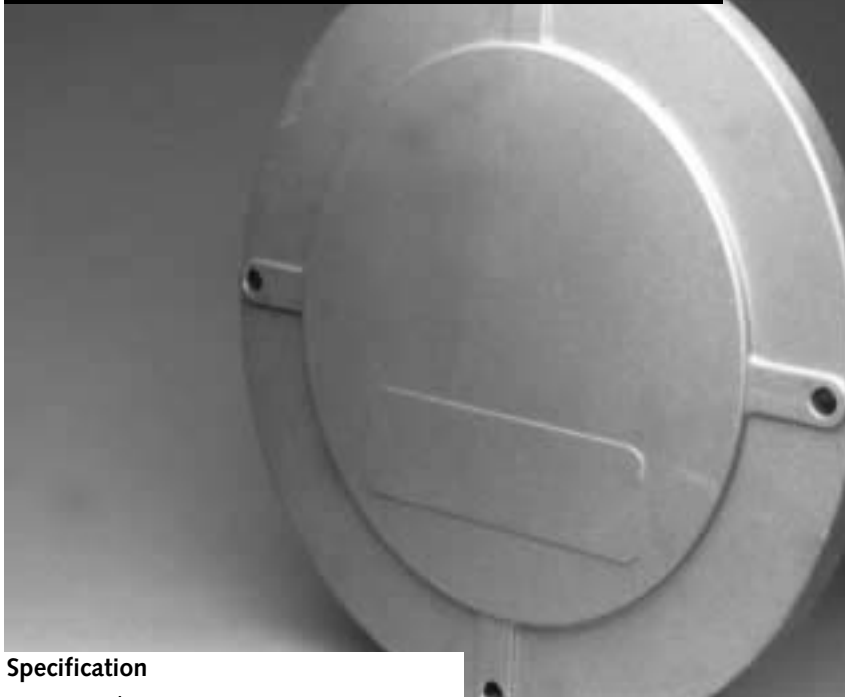
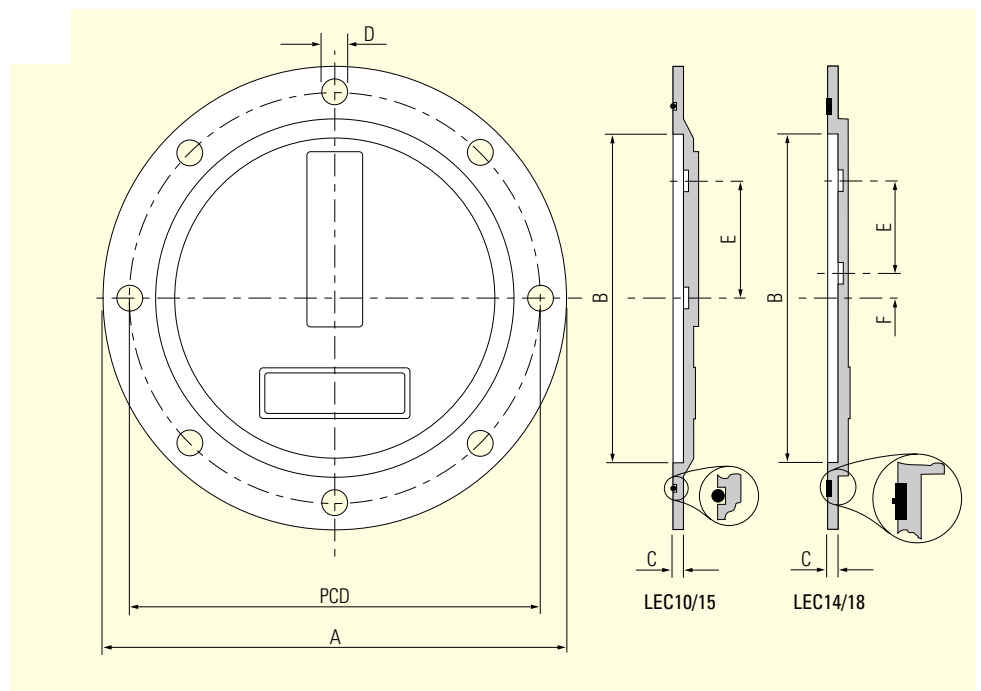


RESERVOIR END COVERS



Specification

- Cast aluminium.
- Nitrile seal.
- LEC14 & LEC18 to DIN24339.



Part number	Dimensions - mm							No of bolts	Comments
	A	B	C	D	E	F	PCD		
LEC10	275	200	12	9.0	76	-	255	6	Use LG3* level gauge.
LEC14	350	258	18	11.5	76	33	324	4	Use LG3* level gauge.
LEC15	400	325	12	9.0	127	-	380	8	Use LG5* level gauge.
LEC18	475	382	18	11.5	127	33	449	6	Use LG5* level gauge.