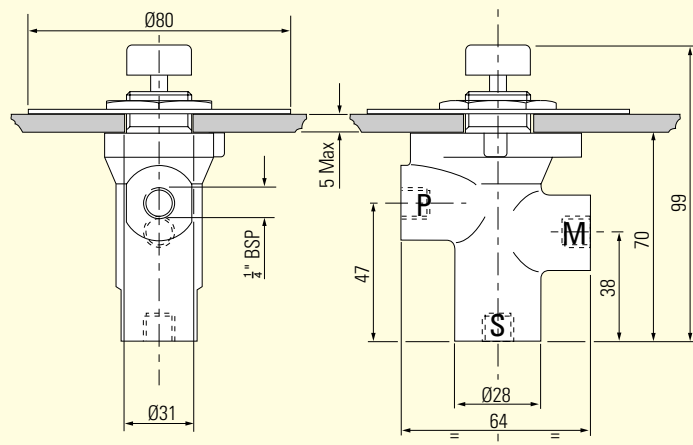


# GAUGE ISOLATOR VALVE



## Description

Gauge isolators prevent damaging pressure surges from reaching the gauge except when a pressure reading is required. They help to extend gauge life and accuracy.



## Specification

- Push to read.
- Panel or in-line mounting.
- Cast iron body.
- Steel spool.
- Aluminium face plate.
- Seals - nitrile.
- 400 bar working pressure.
- Max panel thickness - 8mm.
- Ports -  $\frac{1}{4}$ " BSP.
- Temperature range -30 to +100° C.

## Part Number

- LGI-25G