

SPIN-ON FILTERS

SUCTION - Upto 20 L/min
RETURN - Upto 90 L/min

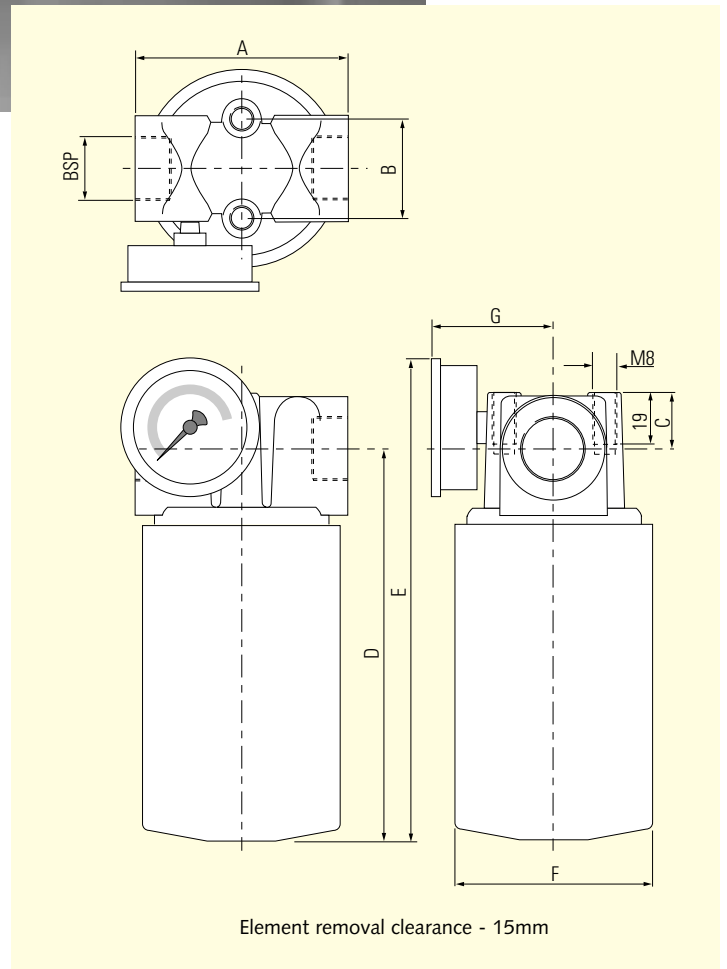


Specification

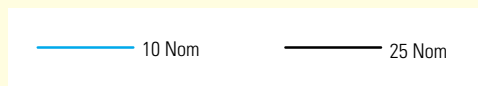
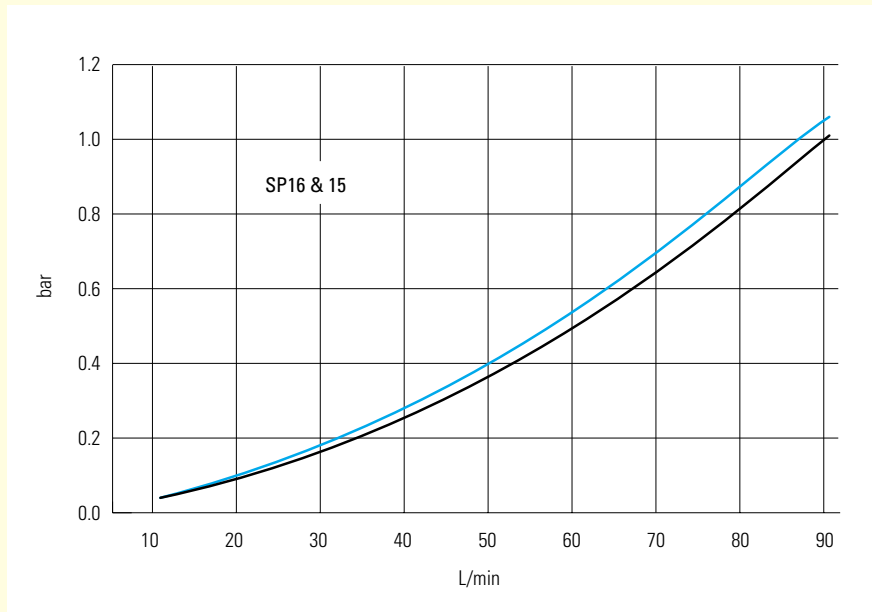
- 15 bar working pressure.
- Flows upto 90 L/min for return & 20 L/min for suction line.
- $\frac{3}{4}$ or 1" BSP ports.
- For use with mineral and petroleum based fluids.
- Operating temperature -30 to +100° C.
- Aluminium head, buna-N seals.
- Media - 10 & 25 μ paper.

Options

By-pass valve settings.
 Indicators.



Series	Filter Post	Port thread BSP	Can length	Filtration rates available Micron	Dimensions - mm						
					A	B	C	D	E	F	G
SP16	BSP	$\frac{3}{4}$ or 1	Std	10 & 25 Nom	94	38	23	168	206	98	60
SP15	UNF	$\frac{3}{4}$	Std	10 & 25 Nom	94	38	23	168	206	98	60



ΔP @ 30cSt

Sample Part no:- **SP16 B-A G V 1**

Filter series
SP16 - BSP post
SP15 - UNF post

Ports
B - 3/4" BSP
E - 1" BSP (SP16 only)

Filtration rate
A - 10 μ Nom
B - 25 μ Nom

Indicator position
1 - Return
2 - Suction

Indicator
N - None
V - Visual, (ret - SP15P, suct - SP15P)
E - Electrical, (ret - SP15EP2A, suct - EL-V-2)

By-pass
D - None
E - 0.17 bar
G - 1 bar

For replacement elements see page A13

SPIN-ON FILTERS

SUCTION - Upto 45 L/min
RETURN - Upto 240 L/min

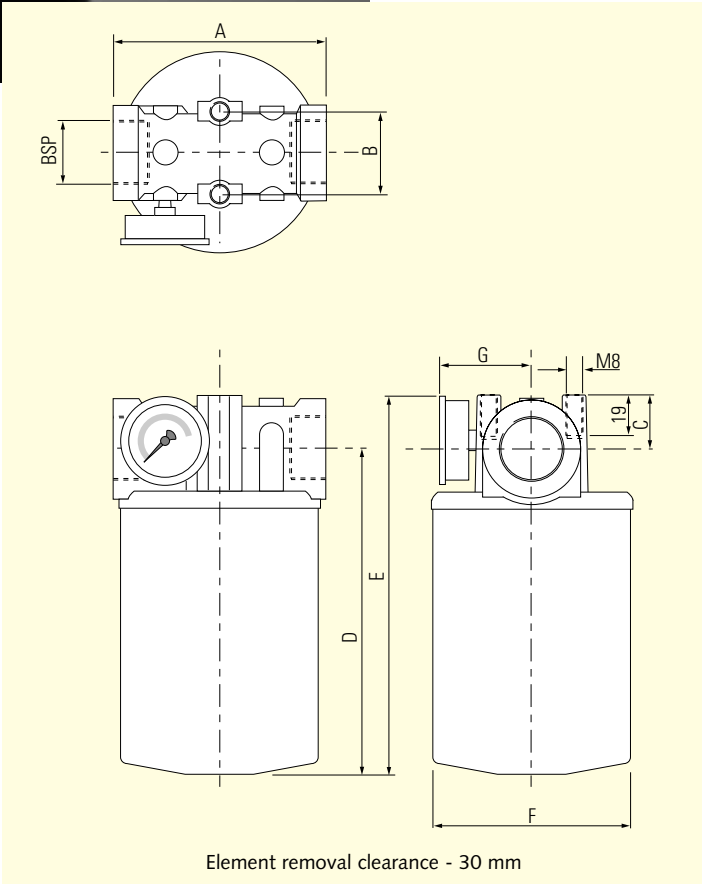


Specification

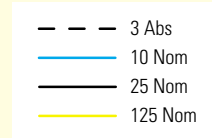
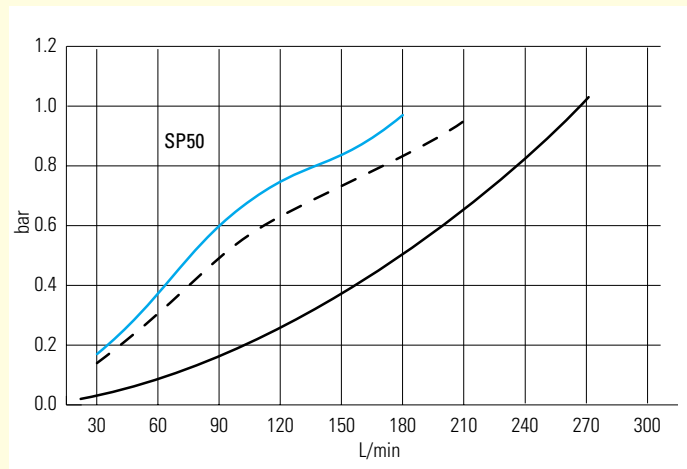
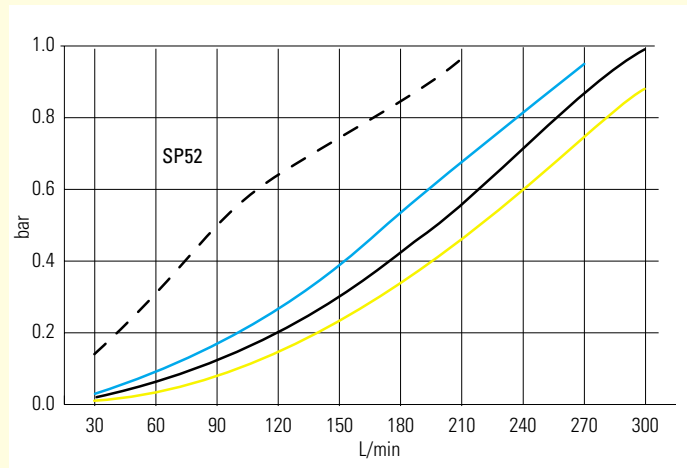
- 10 bar working pressure.
- Flows upto 240 L/min for return & 45 L/min for suction line.
- 1 1/4" BSP ports.
- For use with mineral and petroleum based fluids.
- Operating temperature -30 to +100° C.
- Aluminium head, buna-N seals.
- Media:-
 - 10 & 25 µ Nom paper.
 - 10 µ water absorbing, cellulose backed water removal media.
 - 3 µ Abs metal reinforced synthetic fibre.
 - 125 µ Nom stainless steel.

Options

By-pass valve settings.
 Indicators.



Series	Filter Post	Port thread BSP	Can length	Filtration rates available Micron	Dimensions - mm						
					A	B	C	D	E	F	G
SP52	BSP	1 1/4	Std	3 Abs, 10, 25 & 125 Nom	134	48	30	210	246	127	69
SP50	UNF	1 1/4	Std	3 Abs, 10, 25 Nom, 10 water absorbing	134	48	30	204	240	127	69



ΔP @ 30cSt

Sample Part no:- **SP52 B-A G V 1**

Filter series

SP52 - BSP post, std can
SP50 - UNF post, std can

Ports

B - 1 1/4" BSP

Filtration rate

A - 10 μ Nom
B - 25 μ Nom
C - 3 μ Abs
D - 125 μ Nom
G - 10 μ water absorbing

Indicator position

1 - Return
2 - Suction

Indicator

N - None
V - Visual, (ret - SP15P, suct - SP15P)
E - Electrical, (ret - SP15EP2A, suct - EL-V-2)

By-pass

D - None
E - 0.17 bar
G - 1 bar

For replacement elements see page A13