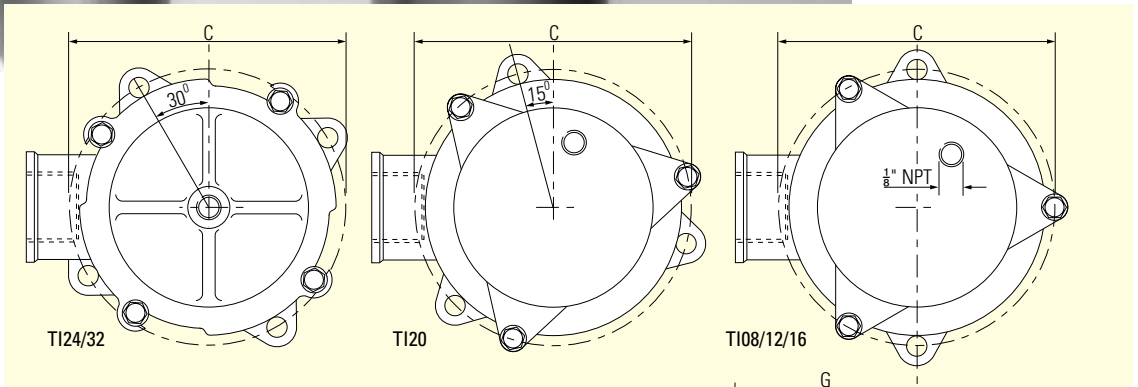


# TANK IMMERSED FILTERS RETURN - Upto 600 L/min

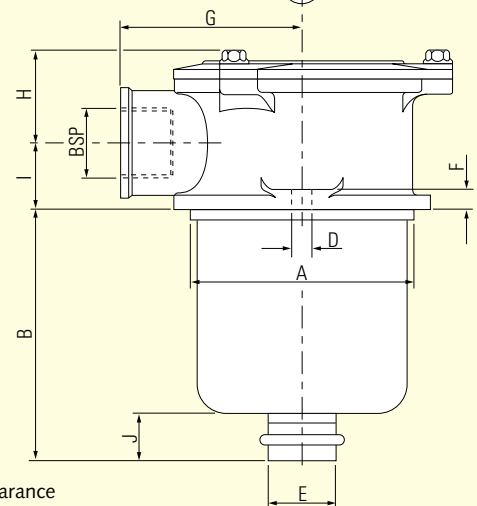


## Specification

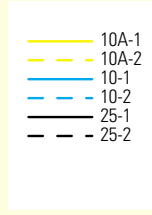
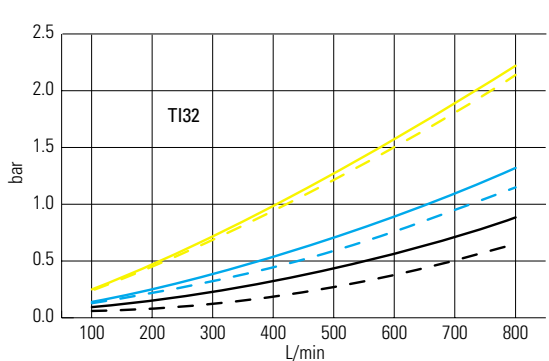
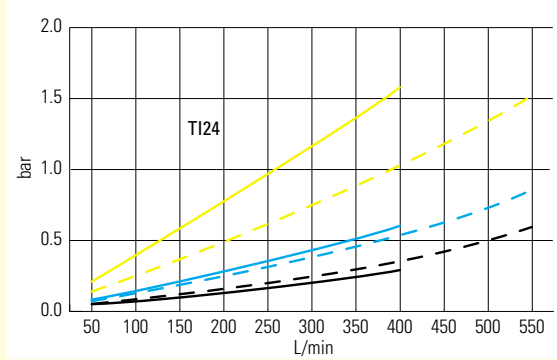
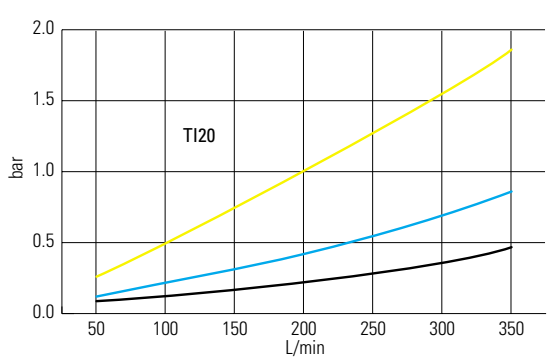
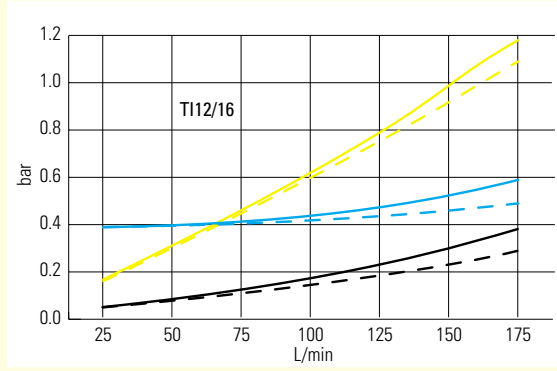
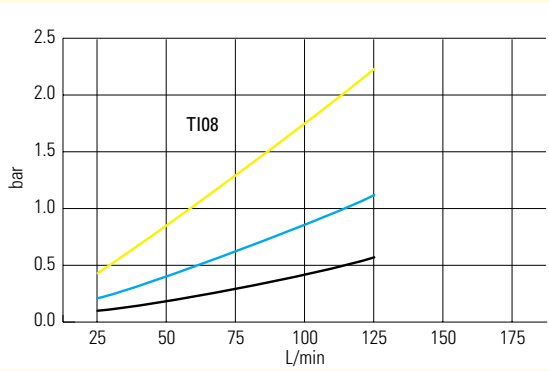
- 3 bar working pressure.
- Flows upto 600 L/min for return.
- 1/2", 3/4", 1", 1 1/4", 1 1/2" & 2" BSP ports.
- For use with mineral and petroleum based fluids.
- Operating temperature -30 to +100° C.
- Aluminium head, buna-N seals.
- Element replaceable through filter head.
- Media - 10 & 25 µ Nom paper.  
10 µ Abs metal reinforced synthetic fibre.

## Options

By-pass valve settings.  
Indicators



Series	Port thread BSP	Bowl length	Filtration rates available - Micron	Dimensions - mm										
				A	B	C	D	E	F	G	H	I	J	K
TI08B- 0	1/2	0	10 Abs,10, 25 Nom	66.0	82	90	7.0	24.0	8	50	26	21	25	117
TI12B- 1	3/4	1	10 Abs,10, 25 Nom	88.0	93	115	8.0	28.0	12	67	35	29	30	149
TI12B- 2	3/4	2	10 Abs,10, 25 Nom	88.0	136	115	8.0	28.0	12	67	35	29	30	194
TI16B- 1	1	1	10 Abs,10, 25 Nom	88.0	93	115	8.0	28.0	12	67	35	29	30	149
TI16B- 2	1	2	10 Abs,10, 25 Nom	88.0	136	115	8.0	28.0	12	67	35	29	30	194
TI20B- 1	1 1/4	1	10 Abs,10, 25 Nom	129.0	248	175	10.5	40.0	13	95	47	35	60	270
TI24B- 1	1 1/2	1	10 Abs,10, 25 Nom	173.5	178	220	10.5	63.5	13	115	58	44	60	230
TI24B- 2	1 1/2	2	10 Abs,10, 25 Nom	173.5	250	220	10.5	63.5	13	115	58	44	60	285
TI32B- 1	2	1	10 Abs,10, 25 Nom	173.5	250	220	10.5	63.5	13	115	58	44	60	320
TI32B- 2	2	2	10 Abs,10, 25 Nom	173.5	320	220	10.5	63.5	13	115	58	44	60	360



ΔP @ 30cSt

Sample Part no: - **TI32B - 1 B H P 1**

**Filter series**  
**TI08B** - 1/2 BSP  
**TI12B** - 3/4 BSP  
**TI16B** - 1 BSP  
**TI20B** - 1 1/4 BSP  
**TI24B** - 1 1/2 BSP  
**TI32B** - 2 BSP

**Bowl length**  
 (see page A11 for availability)  
**0** - Model 0  
**1** - Model 1  
**2** - Model 2

**Filtration rate**  
**A** - 10 μ Nom  
**B** - 25 μ Nom  
**K** - 10 μ Abs

**Indicator**  
**0** - None  
**1** - Visual, (TI15P)  
**2** - Electrical, (SP145EP2A)

**Fluid type**  
**P** - Mineral oil

**By-pass**  
**H** - 1.7 bar

For replacement elements see page A13