

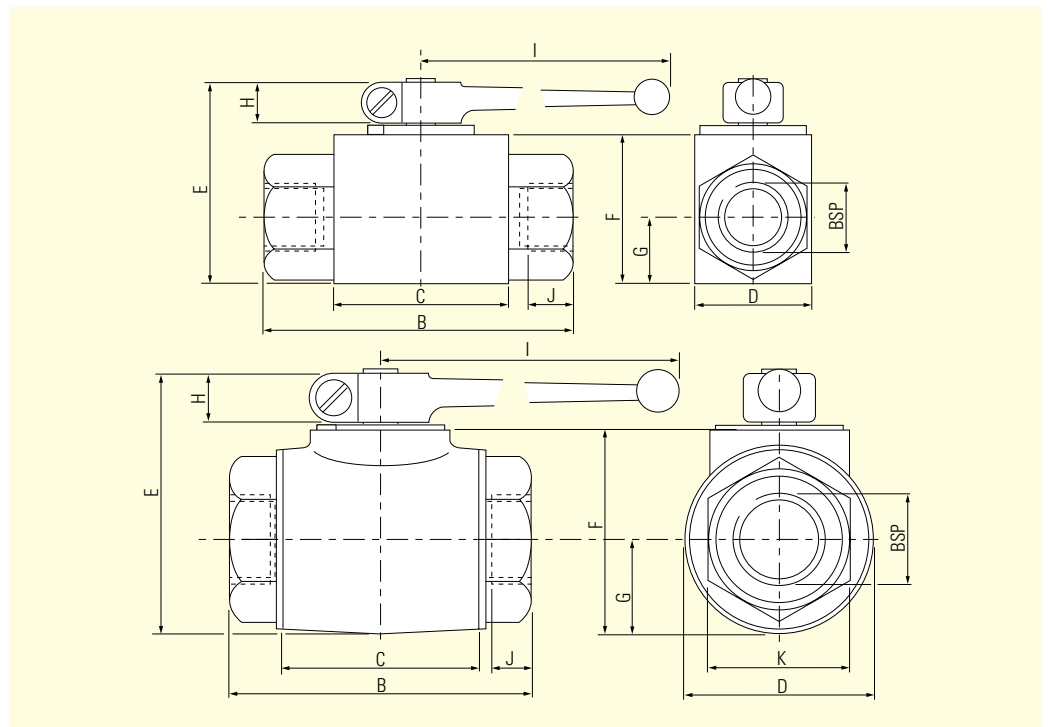
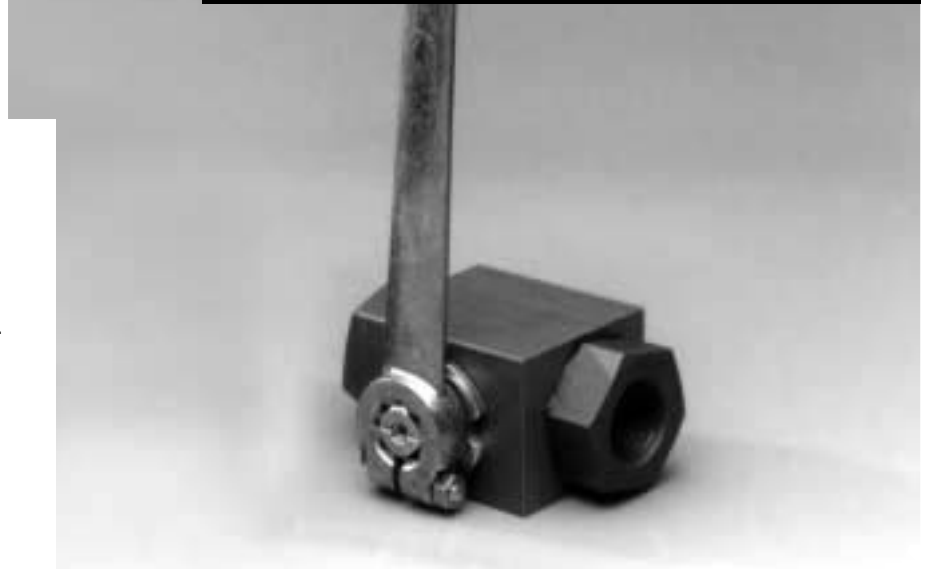
# 2 PORT BALL VALVES HIGH PRESSURE BSP Ports

## Specification

- High pressure.
- 2 port.
- Steel body and ball.
- Aluminium handle.
- Seals, ball - Delrin, 'O' rings - Viton.
- Temperature range -25° to +200° C.
- Fluids, most hydraulic oils.
- Working pressure upto 500 bar.
- ¼" to 2" BSP ports.

## Options

Steel handles available.



Part number	Max working bar	Size DN	Dimensions - mm												Weight Kg
			Ports	Bore	B	C	D	E	F	G	H	I	J	K	
HBV04B	500	6	¼	6	69	36	26	45	32.0	12.5	11	150	14	-	0.3
HBV06B	500	10	⅜	10	72	43	32	53	38.0	17.5	11	150	14	-	0.3
HBV08B	500	13	½	13	83	48	35	54	40.0	19.0	11	150	16	-	0.5
HBV12B	315	20	¾	20	95	62	49	75	57.0	24.5	14	200	18	-	2.0
HBV16B	315	25	1	25	113	66	58	82	65.0	29.5	14	200	20	-	2.1
*HBV20B	315	32	1¼	30	110	80	76	104	83.5	38.0	15	240	22	60	3.2
*HBV24B	315	40	1½	38	130	85	92	119	99.0	46.0	15	240	24	75	4.3
*HBV32B	315	50	2	48	140	100	106	131	111.0	53.0	15	240	24	75	10.0

\* not full ported valves