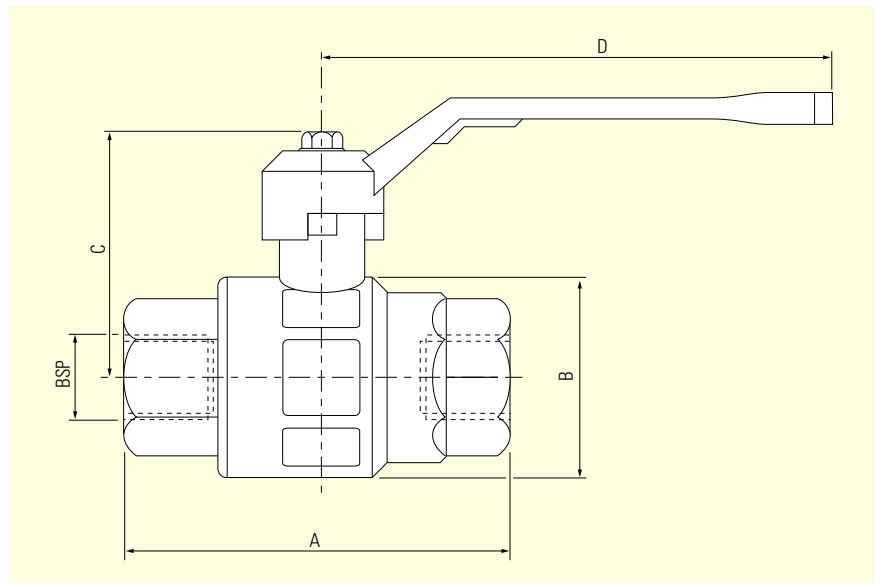


2 PORT BALL VALVES LOW PRESSURE



Specification

- Low pressure.
- 2 port.
- Hot forged brass body.
- Aluminium handle.
- Chromium plated ball.
- PTFE seals.
- Temperature range -30° to 175° C.
- Fluids, most hydraulic oils, water steam, petrol & many fuel oils gases and acids.
- Working pressure upto 49 bar.
- ¼" to 2" BSP ports.



Part number	Max working bar	Dimensions - mm					Bore
		Ports BSP	A	B	C	D	
BV04B	49	¼	46	25	40	80	10
BV06B	49	⅜	46	25	40	80	10
BV08B	49.	½	56	32	43	80	15
BV12B	39	¾	69	42	50	110	20
BV16B	39	1	80	49	54	110	25
BV20B	30	1¼	91	59	62	138	32
BV24B	30	1½	100	72	86	158	40
BV32B	25	2	123	87	93	158	50