

FLOW CONTROL VALVES

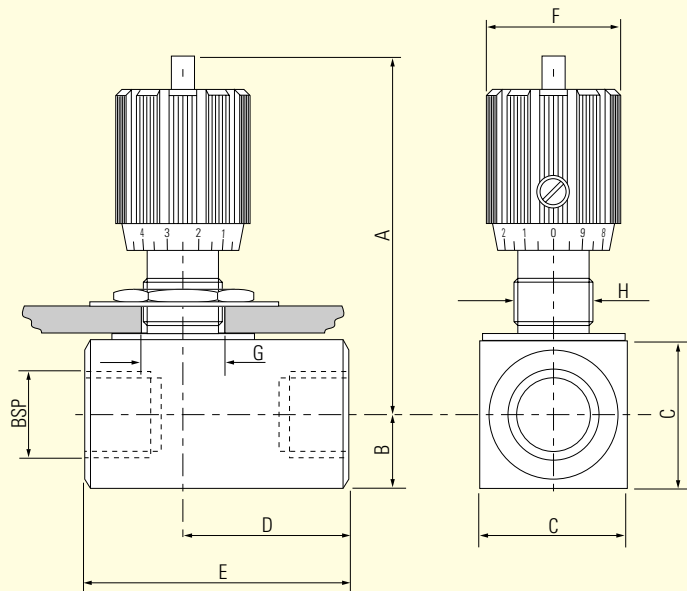


Specification

- Full flow return (FCV series).
- Check valve opening at 0.5 bar (FCV series).
- Steel body.
- Seals - Buna N.
- Temperature range -35° to 100° C.
- Fluids, most hydraulic oils.
- Working pressure upto 350 bar.
- 1/8" to 1 1/4" BSP ports.
- Valve position indicator.
- Inline or panel mounting.

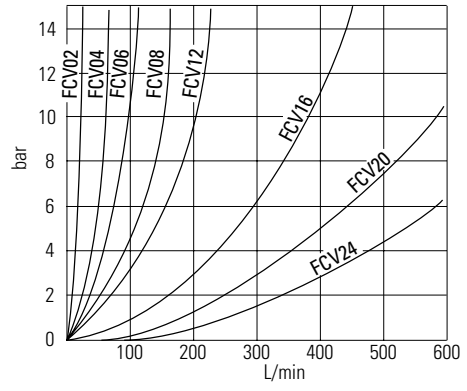
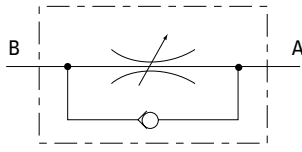
Options

Panel mounting kits available.



Part number	Max working bar		Dimensions - mm										Panel mnt Kit
			Ports BSP	A open	A closed	B	C	D	E	F	G	H	
NV02B	350	Controlled flow both ways	1/8	63.0	58.0	8.0	16	19.0	38	24	13	Pg7	NVPK02
NV04B	350	Controlled flow both ways	1/4	84.5	77.5	12.5	25	24.0	48	29	19	Pg11	NVPK04-06
NV06B	350	Controlled flow both ways	3/8	89.0	82.0	15.0	30	29.0	58	29	19	Pg11	NVPK04-06
NV08B	350	Controlled flow both ways	1/2	109.5	99.5	17.5	35	34.0	68	38	23	Pg16	NVPK08-12
NV12B	350	Controlled flow both ways	3/4	128.5	118.5	22.5	45	39.0	78	38	23	Pg16	NVPK08-12
NV16B	350	Controlled flow both ways	1	170.0	153.0	25.0	50	54.0	108	49	38	Pg29	NVPK16-24
FCV02B	350	Full flow return	1/8	55.0	50.0	8.0	16	26.0	45	24	13	Pg7	NVPK02
FCV04B	350	Full flow return	1/4	72.0	65.0	12.5	25	33.5	55	29	19	Pg11	NVPK04-06
FCV06B	350	Full flow return	3/8	74.0	67.0	15.0	30	41.0	65	29	19	Pg11	NVPK04-06
FCV08B	350	Full flow return	1/2	92.0	82.0	17.5	35	44.0	73	38	23	Pg16	NVPK08-12
FCV12B	350	Full flow return	3/4	106.0	96.0	22.5	45	57.0	88	38	23	Pg16	NVPK08-12
FCV16B	350	Full flow return	1	145.0	128.0	25.0	50	77.0	127	49	38	Pg29	NVPK16-24
FCV20B	350	Full flow return	1 1/4	150.0	133.0	30.0	60	93.0	143	49	38	Pg29	NVPK16-24
FCV24B	350	Full flow return	1 1/2	155.0	138.0	35.0	70	108.0	143	49	38	Pg29	NVPK16-24

FCV $\Delta P, B - A$



Pressure drop, flow: A - B

