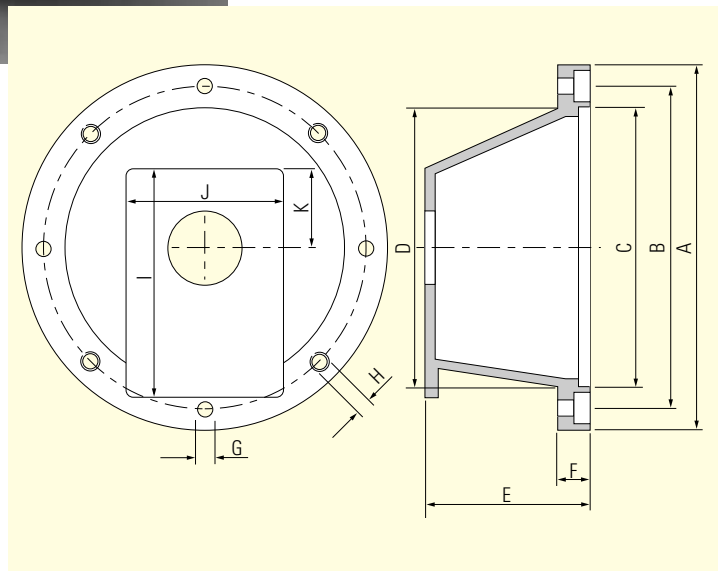
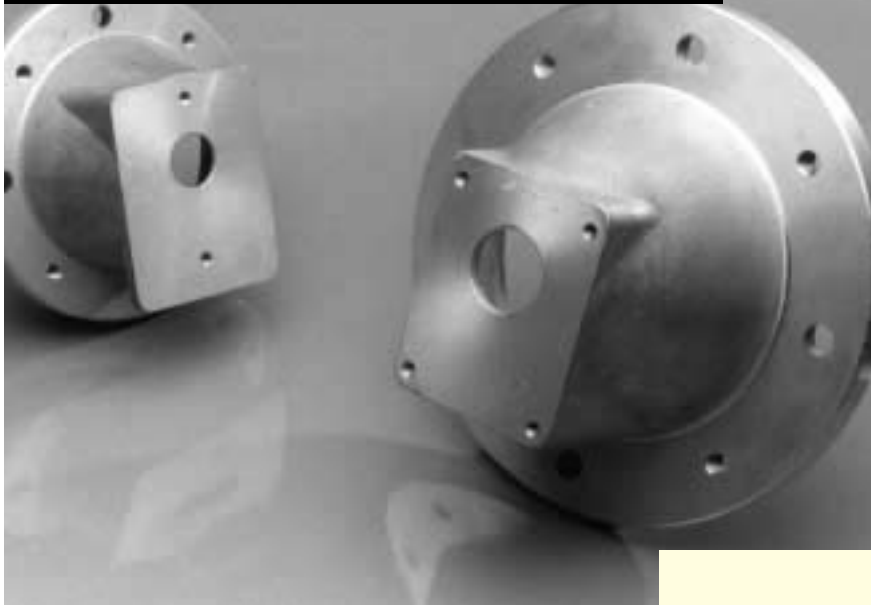


BELL HOUSINGS GEAR PUMP 2/4 BOLT



Specification

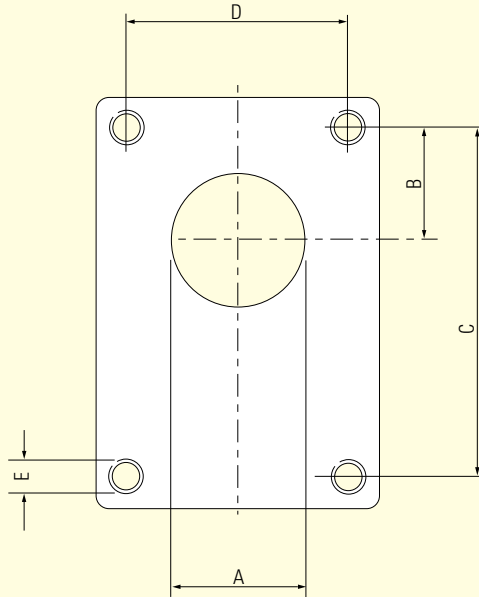
- Aluminium construction.
- Suitable for BS "D" frame metric motor mounting flange.
- 2 & 4 bolt pump mounting.
- Guarantees alignment between pump and motor.

Options

For electric motors upto frame size 225.
Mountings available for most manufacturer's pumps.

Series	Motor frame size	Motor ▲ power KW	Pump codes available	Dimensions - mm (MOTOR FLANGE & LENGTH)										
				A	B	C	D	E	F	G	H	I	J	K
LBH10	63	0.18	AA,BA,BB,BD.	140	115	95	100	60	11	9.5	M8	90	69	34
LBH11	71	0.25(0.37)	AA,BA,BB,BD.	160	130	110	114	70	14	9.5	M8	90	69	34
LBH12	80/90	0.55(0.75)/1.1(1.5)	AA,BA,BB,BD.	200	165	130	133	95	15	11.5	M10	90	69	34
LBH12	80/90	0.55(0.75)/1.1(1.5)	CA,CD.	200	165	130	133	95	15	11.5	M10	118	86	43
LBH12	80/90	0.55(0.75)/1.1(1.5)	CB,DA,DB,DC,DD,EA,EB.	200	165	130	137	126	16	11.5	-	180	158	65
LBH14	100/112	2.2(3)/4	BA,BB,BD	250	215	180	185	105	21	14.0	M12	118	86	43
LBH14	100/112	2.2(3)/4	CA,CB,CD,DA,DB,DC,DD.	250	215	180	185	115	21	14.0	M12	170	120	59
LBH14	100/112	2.2(3)/4	EA,EB.	250	215	180	185	136	21	14.0	-	209	158	88
LBH16	132	5.5(7.5)	CA,CB,CD,DA,DB,DC,DD.	300	265	230	235	143	21	14.0	M12	170	120	59
LBH16	132	5.5(7.5)	EA,EB.	300	265	230	235	143	21	14.0	M12	180	158	62
LBH17	160/180	11(15)/18.5(22)	CA,CB,CD,DA,DB,DC,DD.	350	300	250	253	178	25	18.0	M16	-	Ø240	R120
LBH17	160/180	11(15)/18.5(22)	EA,EB,FA,FB.	350	300	250	253	178	25	18.0	M16	230	175	77
LBH19	200	30	CA,CB,CD,DA,DB,DC,DD.	400	350	300	288	178	25	18.0	M16	230	175	105
LBH19			EA,EB,FA,FB.											
LBH20	225	37(45)	EA,EB,FA,FB.	250	400	350	350	220	25	18.0	-	230	175	138

▲ NOTE: Power figures quoted here are for 3 phase, 4 pole, 1500 rpm, they are for guidance only, please consult the motor manufacturers literature. For information on electric motors please see page G1.



Pump code	Pump flange	Pump group	Dimensions - mm (PUMP FLANGE)*				
			A	B	C	D	E
AA	Standard - 2 bolt	0.5	22.0	25.5	66.0	-	M6
BA	Standard - 4 bolt	1	25.4	26.2	72.0	52.0	M6
BB	Marzocchi albero cll	1	30.0	24.5	73.0	56.0	M6
BD	Bosch	ZBR	32.0	10.3	40.0	40.0	M8
CA	Standard - 4 bolt	2	36.5	32.5	96.0	71.5	M8
CB	Turolla, Ultra (Dowty)	T250	50.8	43.0	128.0	98.5	M8
CD	Bosch	ZFR-S	80.0	34.5	100.0	72.0	M8
DA	Standard - 4 bolt	3	50.8	42.0	128.0	98.5	M10
DB	Marzocchi, HPI	3	50.8	43.0	128.0	98.5	M10
DC	Turolla	3	50.8	45.0	137.0	98.4	M10
DD	Bosch	ZGR-S	105.0	48.0	145.0	102.0	M10
DG	Ultra (Dowty)	3	101.6	52.6	153.4	105.2	M10
EA	Standard - 4 bolt	3.5	60.3	49.5	149.5	114.3	M10
EB	Marzocchi	3.5	60.0	48.2	148.0	127.0	M12
FA	Standard - 4 bolt	4	63.5	64.3	188.0	143.0	M12
FB	Marzocchi, Turolla	4	63.5	65.0	196.0	142.8	M12

* **NOTE:** Many pump manufacturers offer a variety of flange sizes. Please check the dimensions above against the pump.

Sample Part no:- **LBH 10 - BA**

Series

LBH - Bell housing

Motor size

- 10 - Frame size 63
- 11 - Frame size 71
- 12 - Frame size 80 & 90
- 14 - Frame size 100 & 112
- 16 - Frame size 132
- 17 - Frame size 160 & 180
- 19 - Frame size 200
- 20 - Frame size 225

Pump flange type

- AA - Standard - 2 bolt
- BA - Standard - 4 bolt
- BB - Marzocchi albero cll
- BD - Bosch
- CA - Standard - 4 bolt
- CB - Turolla, Ultra (Dowty)
- CD - Bosch
- DA - Standard - 4 bolt
- DB - Marzocchi, HPI
- DC - Turolla
- DD - Bosch
- DG - Ultra (Dowty)
- EA - Standard - 4 bolt
- EB - Marzocchi
- FA - Standard - 4 bolt
- FB - Marzocchi, Turolla