

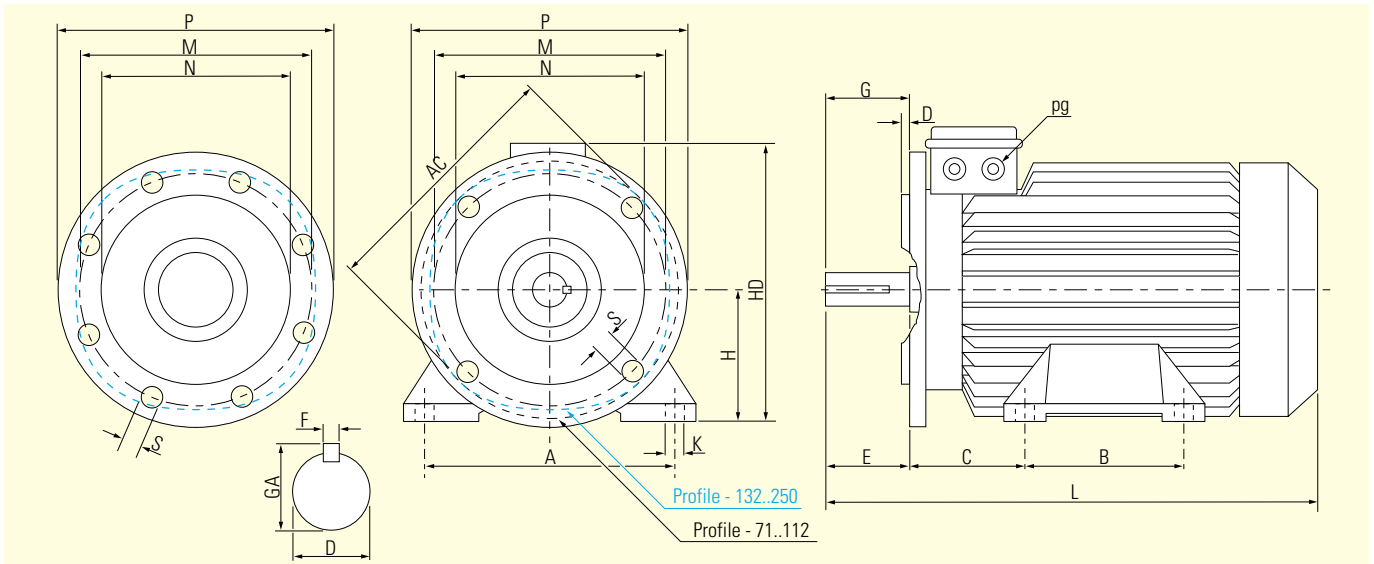
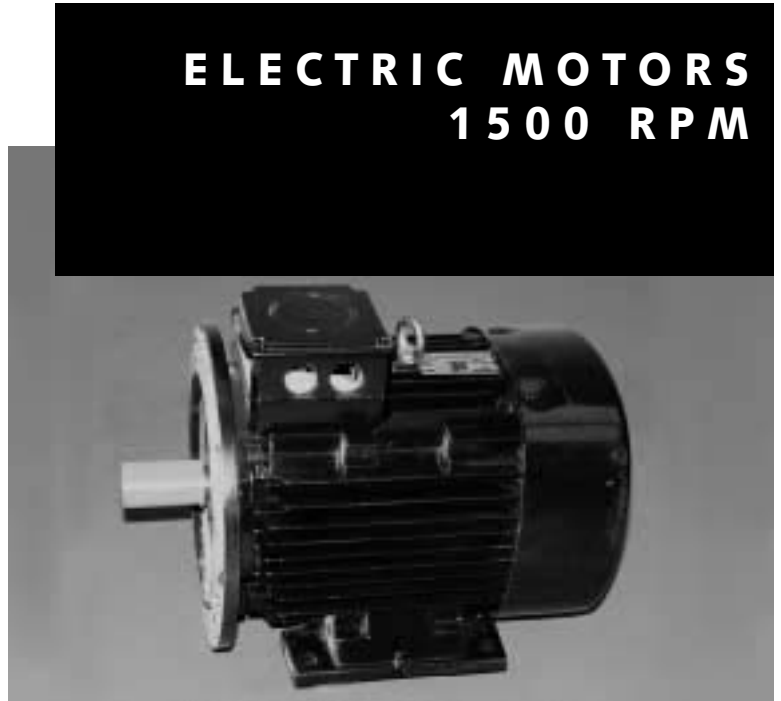
ELECTRIC MOTORS 1500 RPM

Description

Totally enclosed fan cooled (TEFC) electric motors with foot and flange mount, B3/B5. On all motors the feet can be removed when the motor is flange mounted.

Specification

- Three phase, 4 pole.
- Nominal speed - 1500rpm.
- Three phase.
- Voltage - upto 3 Kw - 230/240 V, 50 Hz.
- over 4 Kw - 400/690 V, 50 Hz.
- Insulation - windings - Class F.
- enclosure - IP55.
- Temperature rise B.



| Part number | Rated | | Starting current | | Wt Kg | Dimensions - mm | | | | | | | | | | | | | | | | | |
|----------------|-------|------|------------------|----------------|-------|-----------------|-----|-------|------|-----|-----|-----|-------|----|-----|------------------|-----|------|------------------|-----|------------------|-----|----|
| | Kw | rpm | Amp | I _A | | I _N | AC | L | pg | B | A | H | HD | K | C | D ⁽¹⁾ | E | GA | F ⁽³⁾ | P | N ⁽²⁾ | M | S |
| QS 71M4B-B3/5 | 0.37 | 1390 | 1.16 | 4.0 | - | 8 | 138 | 252.5 | 1x16 | 90 | 112 | 71 | 182.0 | 7 | 45 | 14 | 30 | 16.0 | 5 | 105 | 70 | 85 | M6 |
| QS 80M4A-B3/5 | 0.55 | 1400 | 1.54 | 4.0 | - | 10 | 158 | 283.5 | 1x16 | 100 | 125 | 80 | 199.0 | 10 | 50 | 19 | 40 | 21.5 | 6 | 200 | 130 | 165 | 12 |
| QS 80M4B-B3/5 | 0.75 | 1400 | 2.0 | 4.2 | - | 11 | 158 | 283.5 | 1x16 | 100 | 125 | 80 | 199.0 | 10 | 50 | 19 | 40 | 21.5 | 6 | 200 | 130 | 165 | 12 |
| QS 90S4A-B3/5 | 1.1 | 1400 | 2.8 | 4.0 | - | 13 | 193 | 316.5 | 1x16 | 100 | 140 | 90 | 218.0 | 10 | 56 | 24 | 50 | 27.0 | 8 | 200 | 130 | 165 | 12 |
| QS 90L4A-B3/5 | 1.5 | 1400 | 3.6 | 5.0 | - | 15 | 193 | 316.5 | 1x16 | 100 | 140 | 90 | 218.0 | 10 | 56 | 24 | 50 | 27.0 | 8 | 200 | 130 | 165 | 12 |
| QS 100L4A-B3/5 | 2.2 | 1420 | 4.9 | 5.2 | - | 21 | 217 | 337.0 | 1x16 | 140 | 160 | 100 | 236.5 | 12 | 63 | 28 | 60 | 31.0 | 8 | 250 | 180 | 215 | 15 |
| QS 100L4B-B3/5 | 3.0 | 1430 | 6.4 | 5.5 | - | 24 | 217 | 337.0 | 1x16 | 140 | 160 | 100 | 236.5 | 12 | 63 | 28 | 60 | 31.0 | 8 | 250 | 180 | 215 | 15 |
| QS 112M4B-B3/5 | 4.0 | 1440 | 8.5 | 1.9 | 5.8 | 31 | 232 | 368.0 | 2x16 | 140 | 190 | 112 | 256.0 | 12 | 70 | 28 | 60 | 31.0 | 8 | 250 | 180 | 215 | 15 |
| QU 132S4C-B3/5 | 5.5 | 1445 | 11.5 | 1.9 | 6.0 | 39 | 265 | 438 | 2x16 | 140 | 216 | 132 | 283.0 | 12 | 89 | 38 | 80 | 41.0 | 10 | 300 | 230 | 265 | 15 |
| QU 132M4B-B3/5 | 7.5 | 1450 | 15.0 | 2.0 | 6.5 | 60 | 298 | 479 | 2x21 | 178 | 216 | 132 | 303.0 | 12 | 89 | 38 | 80 | 41.0 | 10 | 300 | 230 | 265 | 15 |
| QU 160M4B-B3/5 | 11.0 | 1450 | 22.0 | 2.1 | 6.5 | 76 | 323 | 586 | 2x21 | 210 | 254 | 160 | 341.0 | 15 | 108 | 42 | 110 | 45.0 | 12 | 350 | 250 | 300 | 19 |
| QU 160L4A-B3/5 | 15.0 | 1450 | 28.8 | 2.1 | 6.5 | 90 | 323 | 586 | 2x21 | 254 | 254 | 160 | 341.0 | 15 | 108 | 42 | 110 | 45.0 | 12 | 350 | 250 | 300 | 19 |
| QU 180M4B-B3/5 | 18.5 | 1450 | 35.0 | 2.1 | 6.5 | 119 | 370 | 629 | 2x21 | 241 | 279 | 180 | 387.0 | 15 | 121 | 48 | 110 | 51.5 | 14 | 350 | 250 | 300 | 19 |
| QU 180L4B-B3/5 | 22.0 | 1455 | 42.0 | 2.1 | 6.5 | 127 | 370 | 629 | 2x21 | 279 | 279 | 180 | 387.0 | 15 | 121 | 48 | 110 | 51.5 | 14 | 350 | 250 | 300 | 19 |
| QU 200L4C-B3/5 | 30.0 | 1455 | 54.5 | 2.1 | 6.5 | 176 | 415 | 665 | 2x29 | 305 | 318 | 200 | 435.0 | 19 | 133 | 55 | 110 | 59.0 | 16 | 400 | 300 | 350 | 19 |
| QU 225S4A-B3/5 | 37.0 | 1460 | 69.0 | 2.1 | 6.5 | 223 | 456 | 765 | 2x36 | 286 | 356 | 225 | 485.0 | 19 | 149 | 60 | 140 | 64.0 | 18 | 450 | 350 | 400 | 19 |
| QU 225M4C-B3/5 | 45.0 | 1460 | 82.0 | 2.1 | 6.5 | 260 | 456 | 765 | 2x36 | 311 | 356 | 225 | 485.0 | 19 | 149 | 60 | 140 | 64.0 | 18 | 450 | 350 | 400 | 19 |
| QU 250M4C-B3/5 | 55.0 | 1465 | 103.0 | 2.1 | 6.5 | 280 | 456 | 784 | 2x36 | 349 | 406 | 250 | 510.0 | 24 | 168 | 65 | 140 | 69.0 | 18 | 550 | 450 | 500 | 19 |

(1) Tolerance ISO "k6", up to ø48 mm, "m6" above ø48 mm. (2) Tolerance ISO "j6". (3) According to DIN 6885. Lifting bolt is mounted from frame size 112.